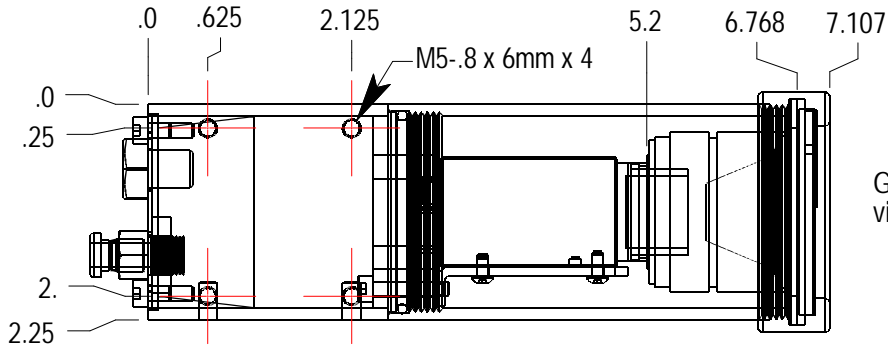
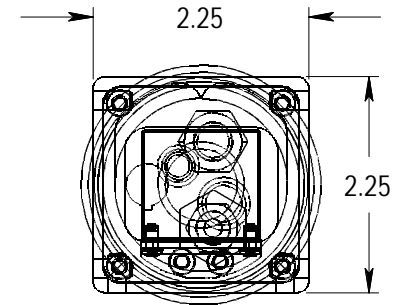


Rear plate can be changed to accommodate different cabling /cooling requirements

Longer barrels can be supplied to accommodate longer lenses



Glass or polycarbonate viewport window



Rear plate includes Hirose bulkhead connector & 2 air fittings

Shown with Omron F160 camera and Computar 50mm lens

Material: Aluminum construction

					Name	Date	Title	
				Created By	ccm	2006/07/18	22C-AA Assembly	
				Checked By				
				Scale				
No	Change	Date	Init	Allison Park Group, Inc. (APG) 4091 Route 8, Suite 300 Allison Park, PA 15101 USA Phone +1 (412) 487-8211 Fax +1 (412) 486-3157 www.apgvision.com			Drawing Number	Issue
This material is the property of APG and must be returned to APG immediately upon request. This material and the information illustrated or contained herein may not be reproduced, copied, used or transmitted in whole or in part in any way without the prior written consent of APG							22C-AA	1.0

Tols: .000 = +/-0.005" .00 = +/-0.010" except where noted