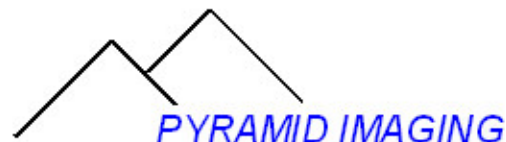


TG2Z1816AFCS



2X 1.8mm - 3.6mm F1.6
for 1/3 type Cameras, Vari-focal Auto Iris VIDEO Drive
CS-Mount

with Focus and Amplifier

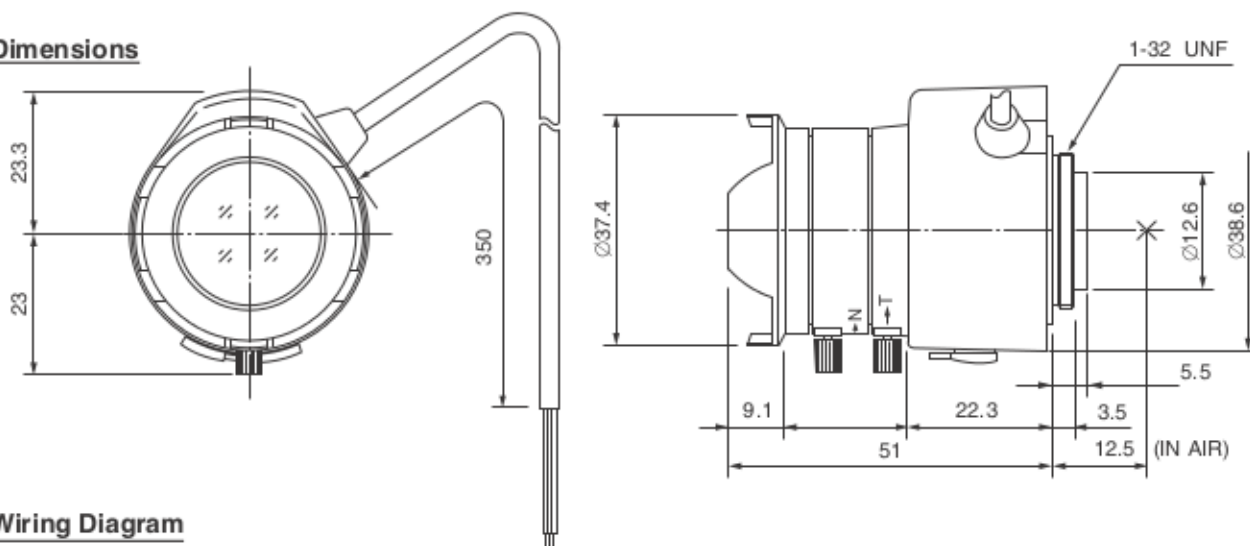
Model No.	TG2Z1816AFCS		Effective	Front	∅22.0mm
Focal Length	1.8mm - 3.6mm		Lens Aperture	Rear	∅7.9mm
Max. Aperture Ratio	1:1.6		Back Focal	Tele	10.5mm
Max. Image Format	4.8mm x 3.6mm(∅6mm)			Length	Wide
Operation Range	Iris	F1.6 - F360C	Flange Back Length		12.5mm
	Focus	0.2m - Inf.	Mount		CS-Mount
	Zoom	1.8mm - 3.6mm	Filter Size		---
Control	Iris	Video Auto Iris	Dimensions		∅37.4mm x 42.6mm x 51mm
	Focus	Manual	Weight		83g
	Zoom	Manual			
Object Dimension at M.O.D.	1.8mm	123.8cm x 56.5cm			
	3.6mm	33.2cm x 22.9cm			
Angle of View	D	1/3 type	173.8° - 99.0°	1/4 type	135.8° - 74.4°
	H		144.2° - 79.4°		109.5° - 59.6°
	V		109.4° - 59.6°		82.3° - 44.7°
Supply Voltage	DC8V - DC16V				
Current	Less than 35mA				
Response Time	Approx. 2 sec.				
Light Weighting Method	Adjustable between Average - Peak (to be Set at Average at Factory)				
Input Signal	Video Signal (V. or V.S.)				
Iris Accuracy	± 15% at Video Signal Level				
Sensitivity Adjustment	0.5V(p-p) - 1.0V(p-p) (Video Signal)				
Input Impedance	High Impedance				
Operating Temperature	-20°C - +50°C				

1/3 type

CS

M.O.D. : Minimum Object Distance

Dimensions



Wiring Diagram

