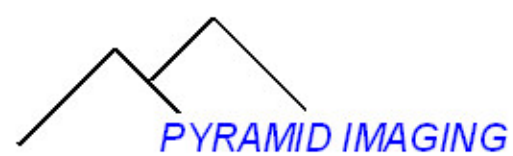


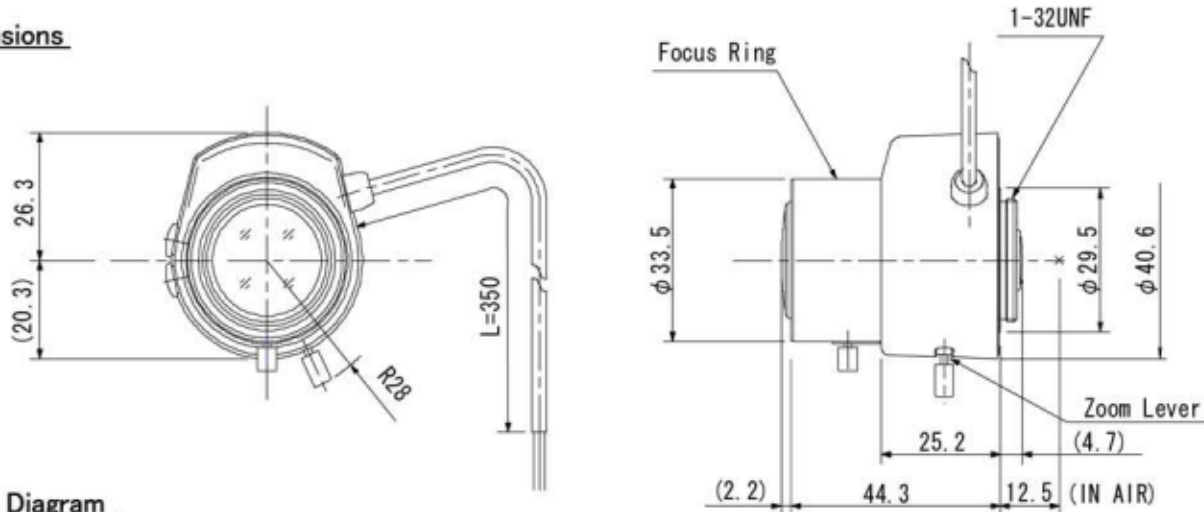
# TG3Z2910AFCS-IR



3X 2.9mm-8.2mm F1.0 Day & Night  
for 1/3 type Cameras, Vari-focal Auto Iris VIDEO Drive  
CS-Mount

Model No.	TG3Z2910AFCS-IR		Effective Lens Aperture	Front	φ 19.0mm
Focal Length	2.9mm - 8.2mm		Back Focal Length	Rear	φ 8.5mm
Max. Aperture Ratio	1:1.0		Length	Tele	14.0mm
Max. Image Format	4.8mm x 3.6mm(φ 6mm)			Wide	7.8mm
Operation Range	Iris	F1.0 - F360C	Flange Back Length		12.5mm
	Focus	0.5m - Inf.	Mount		CS-Mount
	Zoom	2.9mm - 8.2mm	Filter Size		—
Control	Iris	VIDEO Auto Iris	Dimensions		φ 33.5mm x 46.6mm x 44.3mm
	Focus	Manual	Weight		(54g)
	Zoom	Manual			
Angle of View	D	1/3 type	125.6° - 44.7°	1/4 type	88.3° - 33.4°
	H		95.0° - 35.6°		69.0° - 26.7°
	V		69.0° - 26.7°		51.0° - 20.0°
Supply Voltage	DC8.5V - DC16V				
Current	Less than 40mA				
Response Time	Approx. 2 sec.				
Light Weighting Method	Adjustable between Average-Peak (to be Set at Average at Factory)				
Input Signal	Video Signal (V. or V.S.)				
Iris Accuracy	±15% at Video Signal Level				
Sensitivity Adjustment	0.5V(p-p) - 1.0V(p-p)(Video Signal)				
Input Impedance	High Impedance				
Operating Temperature	-10°C - +50°C				

## Dimensions



## Wiring Diagram

