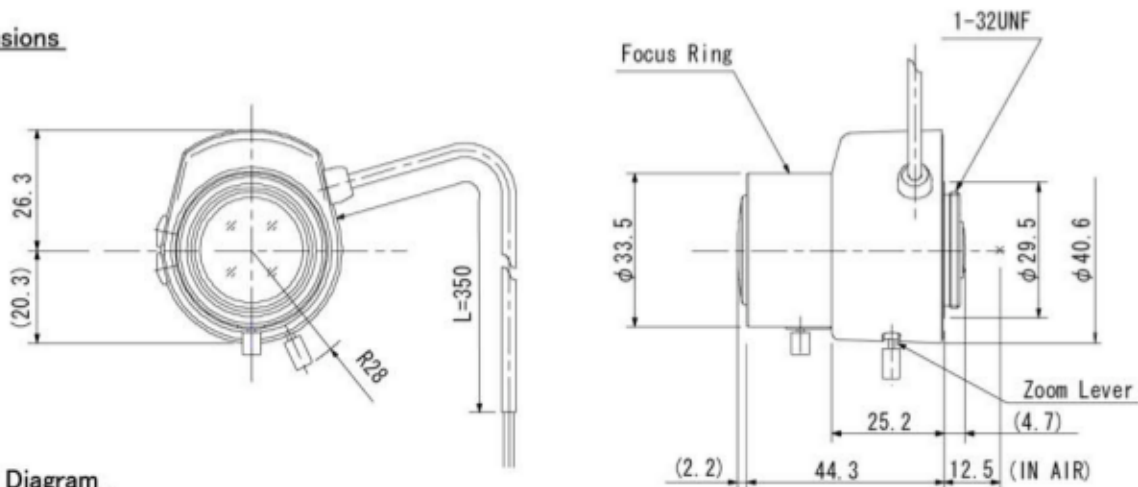


# TG3Z2910AFCS

3X 2.9mm-8.2mm F1.0 Day & Night  
for 1/3 type Cameras, Vari-focal Auto Iris VIDEO Drive  
CS-Mount

Model No.		TG3Z2910AFCS		Effective	Front	φ 19.0mm	
Focal Length		2.9mm - 8.2mm		Lens Aperture	Rear	φ 8.5mm	
Max. Aperture Ratio		1:1.0		Back Focal	Tele	14.0mm	
Max. Image Format		4.8mm x 3.6mm(φ 6mm)			Length	Wide	7.8mm
Operation Range	Iris	F1.0 - F360C		Flange Back Length		12.5mm	
	Focus	0.5m - Inf.		Mount		CS-Mount	
	Zoom	2.9mm - 8.2mm		Filter Size		—	
Control	Iris	VIDEO Auto Iris		Dimensions		φ 33.5mm x 46.6mm x 44.3mm	
	Focus	Manual		Weight		51g	
	Zoom	Manual					
Angle of View	D	1/3 type	125.6° - 44.7°	1/4 type	88.3° - 33.4°		
	H		95.0° - 35.6°		69.0° - 26.7°		
	V		69.0° - 26.7°		51.0° - 20.0°		
Supply Voltage		DC8.5V - DC16V					
Current		Less than 40mA					
Response Time		Approx. 2 sec.					
Light Weighting Method		Adjustable between Average-Peak (to be Set at Average at Factory)					
Input Signal		Video Signal (V. or V.S.)					
Iris Accuracy		± 15% at Video Signal Level					
Sensitivity Adjustment		0.5V(p-p) - 1.0V(p-p)(Video Signal)					
Input Impedance		High Impedance					
Operating Temperature		-10°C - +50°C					

## Dimensions



## Wiring Diagram

