

TG3Z3510AFCS-IR

3X 3.5mm - 10.5mm F1.0 Day & Night type
for 1/3 type Format Cameras, Vari-focal Drive Auto Iris
CS-Mount

with Focus and Amplifier

1/3 type

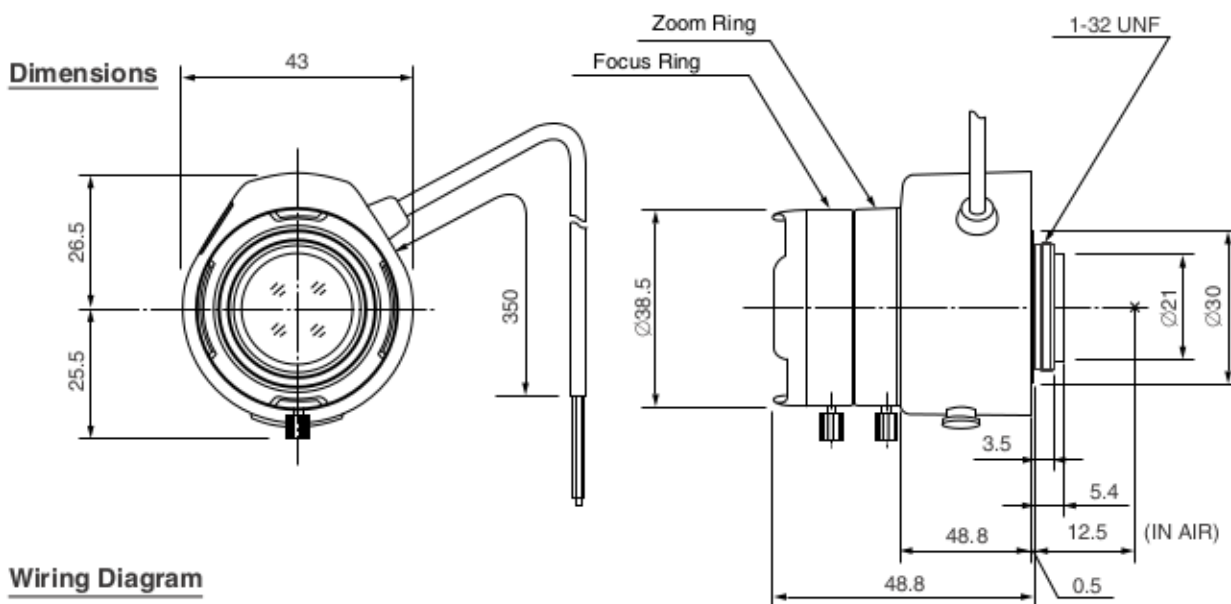
Model No.	TG3Z3510AFCS-IR		Effective	Front	∅18.6mm
Focal Length	3.5mm - 10.5mm		Lens Aperture	Rear	∅10.2mm
Max. Aperture Ratio	1:1.0		Back Focal	Tele	16.3mm
Max. Image Format	4.8mm x 3.6mm(∅6mm)		Length	Wide	8mm
Operation Range	Iris	F1.0 - F360	Flange Back Length	12.5mm	
	Focus	0.3m - Inf.	Mount	CS-Mount	
	Zoom	3.5mm - 10.5mm	Filter Size	---	
Control	Iris	Video Auto Iris	Dimensions	∅38.5mm x 48mm x 48.8mm	
	Focus	Manual	Weight	70g	
	Zoom	Manual			
Object Dimension at M.O.D.	3.5mm	52cm x 34.1cm			
	10.5mm	14.5cm x 10.8cm			
Angle of View	D	1/3 type	108.2° - 34.2°		
	H		81.8° - 27.2°		
	V		59.2° - 20.4°		
Supply Voltage	DC8.5V - DC16V				
Current	Less than 40mA				
Response Time	Approx. 2 sec.				
Light Weighting Method	Adjustable between Average - Peak (to be Set at Average at Factory)				
Input Signal	Video Signal (V. or V.S.)				
Iris Accuracy	± 15% at Video Signal Level				
Sensitivity Adjustment	0.5V(p-p) - 1.0V(p-p) (Video Signal)				
Input Impedance	High Impedance				
Operating Temperature	-20°C - +50°C				

CS

Operates in both visible and infrared light

M.O.D. : Minimum Object Distance

AG



Z

SP

Wiring Diagram

