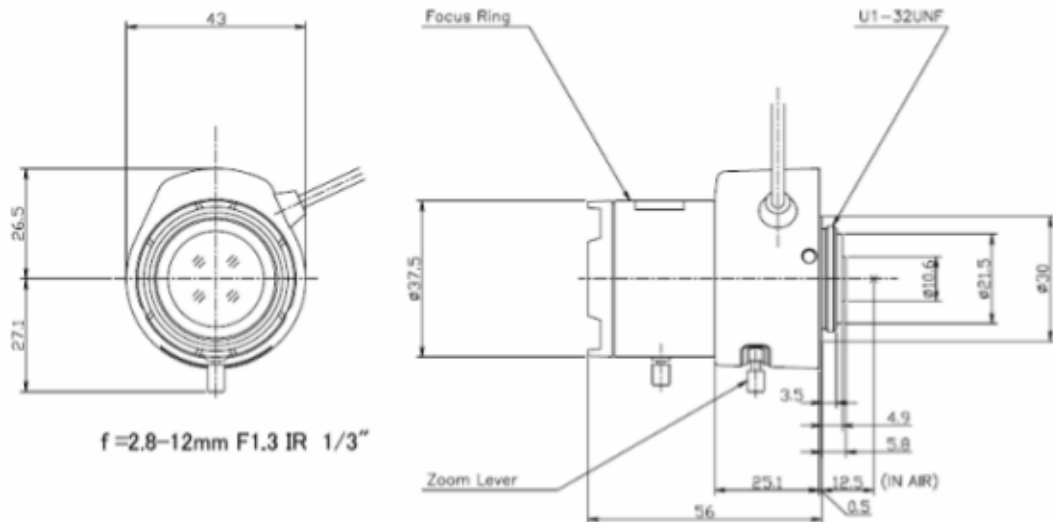


TG4Z2813FCS-IR

4X 2.8mm-12mm F1.3 Day & Night
for 1/3 type Cameras, Vari-focal Auto Iris DC Drive
CS-Mount

Model No.	TG4Z2813FCS-IR		Effective	Front	φ 23.0mm	
Focal Length	2.8mm - 12mm		Lens Aperture	Rear	φ 7.2mm	
Max. Aperture Ratio	1:1.3		Back Forcal	Tele	20.2mm	
Max. Image Format	4.8mm x 3.6mm (φ 6mm)		Length	Wide	8.1mm	
Operation Range	Iris	F1.3 - F360C		Flange Back Length	12.5mm	
	Focus	0.3m - Inf.		Mount	CS-Mount	
	Zoom	2.8mm - 12mm		Filter Size	-	
Control	Iris	DC Auto Iris		Dimensions	φ 37.5mm x 48mm x 56mm	
	Focus	Manual		Weight	71g	
	Zoom	Manual				
Angle of View	D	1/3 type	133° - 29.7°	1/4 type	95.0° - 22.3°	
	H		102.2° - 23.8°		74.2° - 17.8°	
	V		74.2		° - 17.8°	5
Coil	Drive	190 Ω				
	Control	855 Ω				
Operating Temperature	-10°C - +50°C					

Dimensions



Wiring Diagram

		Pin No.	
4	3	1	BROWN Control(-)
		2	RED Control(+)
2	1	3	YELLOW Drive (+)
		4	DRANGE Drive (-)