

TG5Z8513AFCS-IR

5X 8.5mm - 40mm F1.3 Day & Night type
for 1/3 type Format Cameras, Vari - Focal, Auto Iris VIDEO Drive
CS-Mount

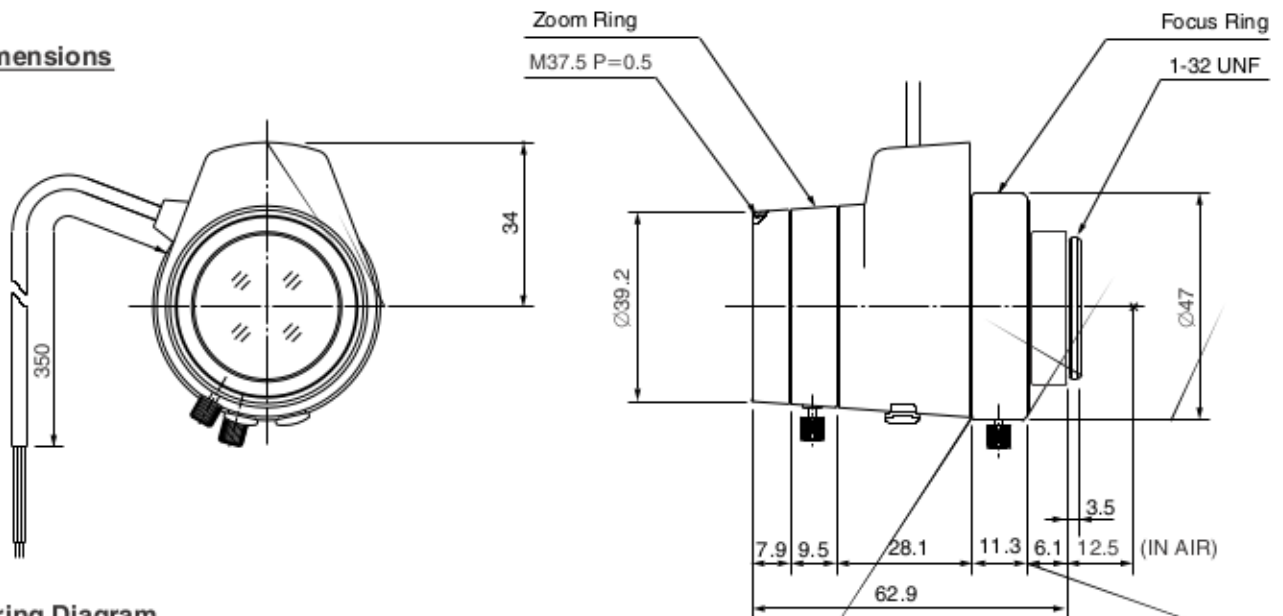
with Focus and Amplifier

Model No.	TG5Z8513AFCS-IR		Effective	Front	Ø27.0mm	
Focal Length	8.5mm - 40mm		Lens Aperture	Rear	Ø9.3mm	
Max. Aperture Ratio	1:1.3		Back Focal	Tele	10.6mm	
Max. Image Format	4.8mm x 3.6mm(Ø6mm)			Length	Wide	9.0mm
Operation Range	Iris	F1.3 - F360		Flange Back Length		12.5mm
	Focus	0.8m - Inf.		Mount		CS-Mount
	Zoom	8.5mm - 40mm		Filter Size		M37.5 P=0.5mm
Control	Iris	Auto Iris		Dimensions		Ø41.7mm x 57.5mm x 62.9mm
	Focus	Manual		Weight		115g
	Zoom	Manual				
Object Dimension at M.O.D.	8.5mm	48.1cm x 34.5cm				
	40mm	10cm x 7.5cm				
Angle of View	D	1/3 type	43.9° - 8.9°	1/4 type	31.2° - 6.7°	
	H		33.5° - 7.1°		24.4° - 5.3°	
	V		24.4° - 5.3°		17.4° - 3.8°	
Supply Voltage	DC8.5V - DC16V					
Current	Less than 40mA					
Response Time	Approx. 2 sec.					
Light Weighting Method	Adjustable between Average - Peak (to be Set at Average at Factory)					
Input Signal	Video Signal (V. or V.S.)					
Iris Accuracy	± 15% at Video Signal Level					
Sensitivity Adjustment	0.5V(p-p) - 1.0V(p-p) (Video Signal)					
Input Impedance	High Impedance					
Operating Temperature	-20°C - +50°C					

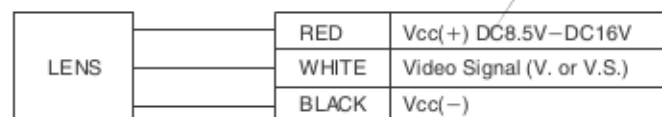
Operates in both visible and infrared light

M.O.D. : Minimum Object Distance

Dimensions



Wiring Diagram



1/3 type

CS

AG

Z

SP