

TG5Z8513FCS-IR

5X 8.5mm - 40mm F1.3 Day & Night type
for 1/3 type Format Cameras, Vari - Focal, Auto Iris DC Drive
CS-Mount

with Focus, w/o Amplifier

Model No.	TG5Z8513FCS-IR		Effective	Front	∅27.0mm
Focal Length	8.5mm - 40mm		Lens Aperture	Rear	∅9.3mm
Max. Aperture Ratio	1:1.3		Back Focal	Tele	10.6mm
Max. Image Format	4.8mm x 3.6mm(∅6mm)			Length	Wide
Operation Range	Iris	F1.3 - F360	Flange Back Length		12.5mm
	Focus	0.8m - Inf.	Mount		CS-Mount
	Zoom	8.5mm - 40mm	Filter Size		M37.5 P=0.5mm
Control	Iris	Auto Iris	Dimensions		∅41.7mm x 57.5mm x 62.9mm
	Focus	Manual	Weight		114g
	Zoom	Manual			
Object Dimension at M.O.D.	8.5mm	48.1cm x 34.5cm			
	40mm	10cm x 7.5cm			
Angle of View	D	1/3 type	43.9° - 8.9°	1/4 type	31.2° - 6.7°
	H		33.5° - 7.1°		24.4° - 5.3°
	V		24.4° - 5.3°		17.4° - 3.8°
Coil	Drive	190 ohm			
	Control	1000 ohm			
Operating Temperature	-20°C - +50°C				

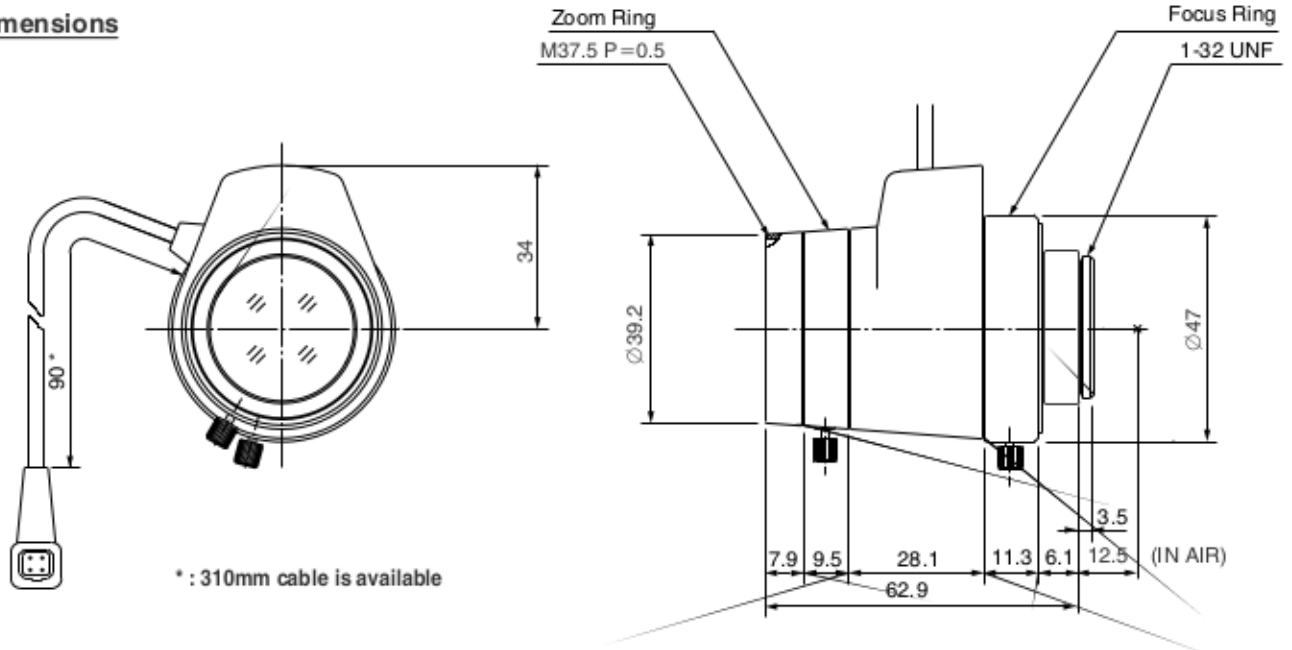
1/3
type

Operates in both visible and infrared light

M.O.D : Minimum Object Distance

CS

Dimensions

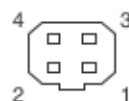


AG

Z

SP

Wiring Diagram



Pin No.

1	BROWN	Control (-)
2	RED	Control (+)
3	YELLOW	Drive (+)
4	ORANGE	Drive (-)