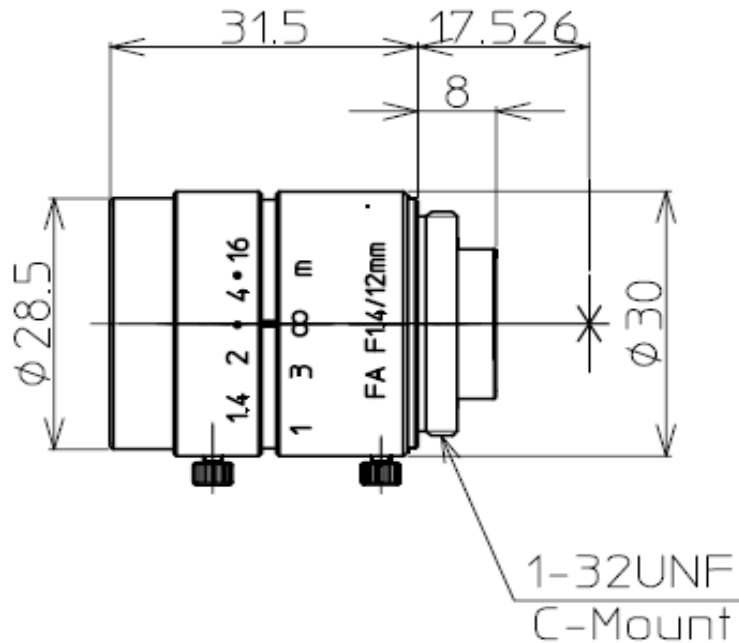




LM12JC



Model	LM12JC
Focal Length (mm)	12
Image Size (mm)	2/3" ($\phi 11$)
Iris Range (F-Stop)	F1.4~F16
Focusing Range (m)	0.1~ ∞
Shooting Range at M.O.D.	237 (H) X 173 (V)
Angle of View (degrees)	42.5X31.7
2/3"	
1/2"	30.7X23.0
1/3"	23.0X17.2
Resolution (Center, Corner)	100lp/mm, 60lp/mm
Distortion (TV)	-2.5%
Flange Back in Air (mm)	17.526
Back Focus in Air (mm)	11.12
Front/Rear Effective Dia.	$\phi 12.3$ mm $\phi 11.7$ mm
Mount	C-Mount
Exit Pupil (mm)	-38.9
Filter Size (mm)	M27XP0.5
Size (mm)	$\phi 30$ X31.5
Weight (g)	63
Temperature Range	-10°C ~ 45°C