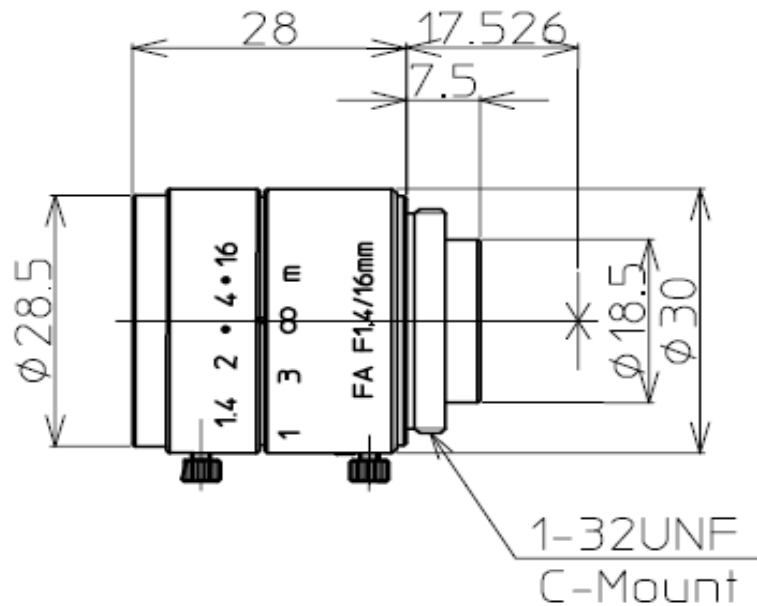




LM16JC



| | |
|-----------------------------|--|
| Model | LM16JC |
| Focal Length (mm) | 16 |
| Image Size (mm) | 2/3" ($\phi 11$) |
| Iris Range (F-Stop) | F1.4~F16 |
| Focusing Range (m) | 0.2~ ∞ |
| Shooting Range at M.O.D. | 111.8 (H) X 82.6 (V) |
| Angle of View (degrees) | 2/3" 30.5X22.8 1/2" 22.2X16.6 1/3" 16.6X12.4 |
| Resolution (Center, Corner) | 100lp/mm, 60lp/mm |
| Distortion (TV) | -1.5% |
| Flange Back in Air (mm) | 17.526 |
| Back Focus in Air (mm) | 12.15 |
| Front/Rear Effective Dia. | $\phi 12.0$ mm $\phi 12.8$ mm |
| Mount | C-Mount |
| Exit Pupil (mm) | -48.9 |
| Filter Size (mm) | M27XP0.5 |
| Size (mm) | $\phi 30$ X28 |
| Weight (g) | 55 |
| Temperature Range | -10°C ~ 45°C |