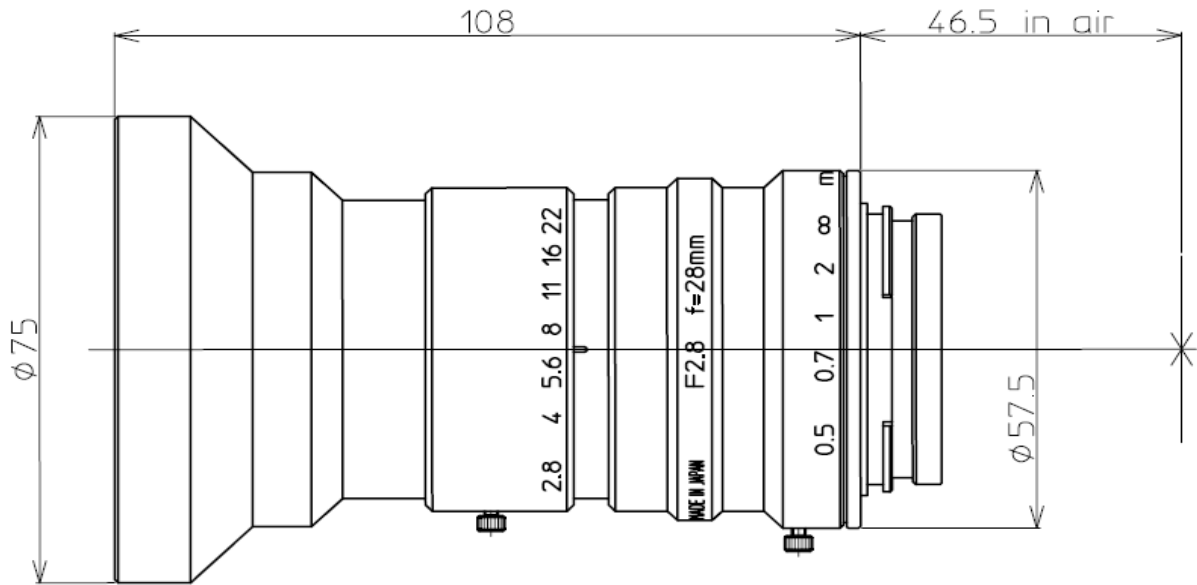




LM28CLS



| | |
|-------------------------|---------------------------|
| Model | LM28CLS |
| Description | 3CCD Color Line Scan Lens |
| Focal Length (mm) | 28 |
| Image Size (mm) | $\phi 30$ |
| Iris Range (F-Stop) | F2.8~F22 |
| Focusing Range (m) | 0.5~ ∞ |
| Iris Control | Manual |
| Focus Control | Manual |
| Distortion (TV) | -1.0% |
| Flange Back in Air (mm) | 46.5 |
| Mount | F-Mount |
| Filter Size (mm) | M72XP0.75 |
| Size (mm) | $\phi 75 \times 108$ |
| Weight (g) | 482 |