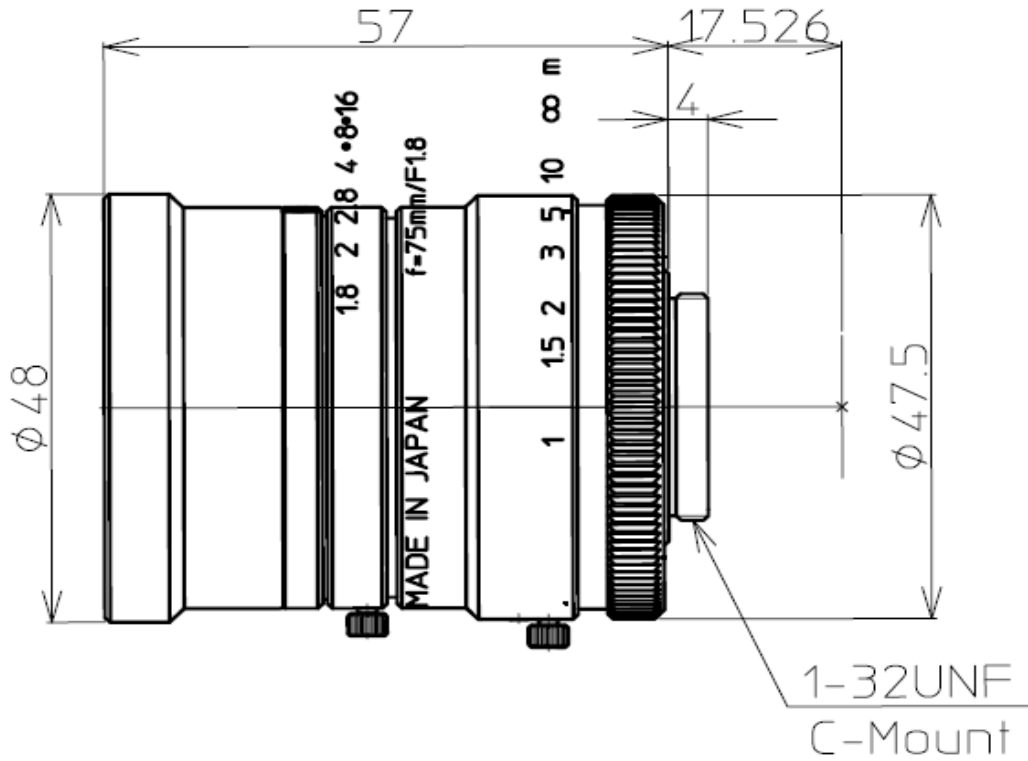




# LM75HC



Model	LM75HC
Focal Length (mm)	75
Image Size (mm)	1" ( $\phi 16$ )
Iris Range (F-Stop)	F1.8~F16
Focusing Range (m)	1~ $\infty$
Angle of View (degrees)	1" 9.7X7.3
	2/3" 6.68X5.03
	1/2" 4.8X3.6
Resolution (Center, Corner)	120lp/mm, 80lp/mm
Distortion (TV)	-0.2%
Flange Back in Air (mm)	17.526
Back Focus in Air (mm)	14.5
Front/Rear Effective Dia.	$\phi 41.2$ mm $\phi 16.0$ mm
Mount	C-Mount
Filter Size (mm)	M46.5XP0.75
Size (mm)	$\phi 48$ X57
Weight (g)	180
Temperature Range	-10°C ~ 45°C