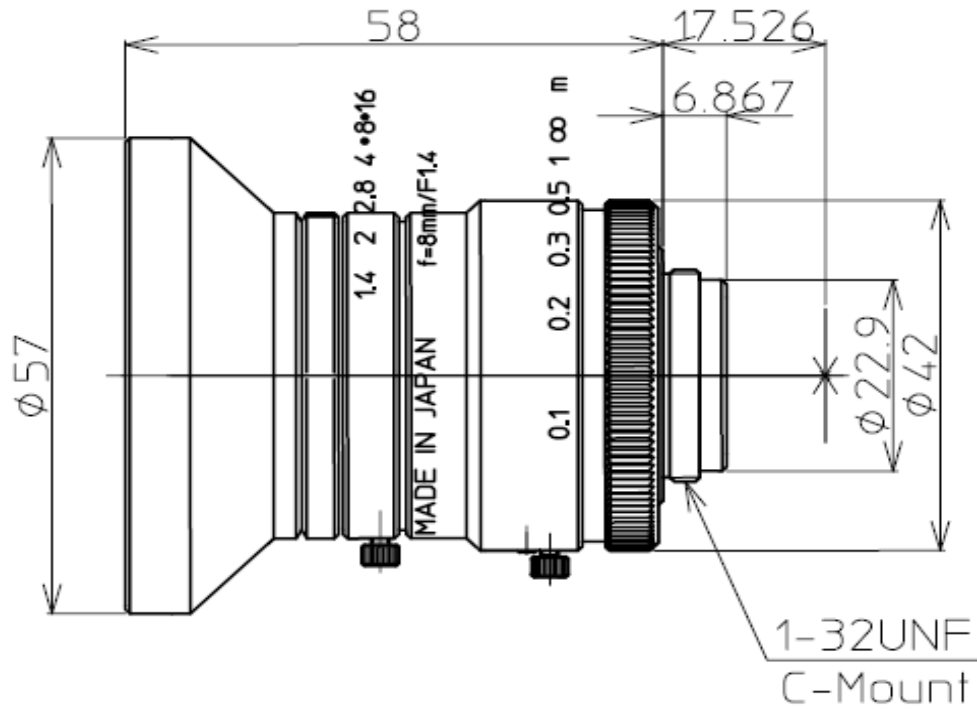




LM8HC



Model	LM8HC
Focal Length (mm)	8
Image Size (mm)	1" (Ø16)
Iris Range (F-Stop)	F1.4~F16
Focusing Range (m)	0.1~∞
Angle of View	79.7X63.0
1"	
2/3"	58.3X44.7
(degrees) 1/2"	43.4X32.9
Resolution (Center, Corner)	120lp/mm, 80lp/mm
Distortion (TV)	-1.2%
Flange Back in Air (mm)	17.526
Back Focus in Air (mm)	11.2
Front/Rear Effective Dia.	Ø37.4mm Ø17.5mm
Mount	C-Mount
Filter Size (mm)	M55XP0.75
Size (mm)	Ø57X58
Weight (g)	200
Temperature Range	-10°C ~ 45°C