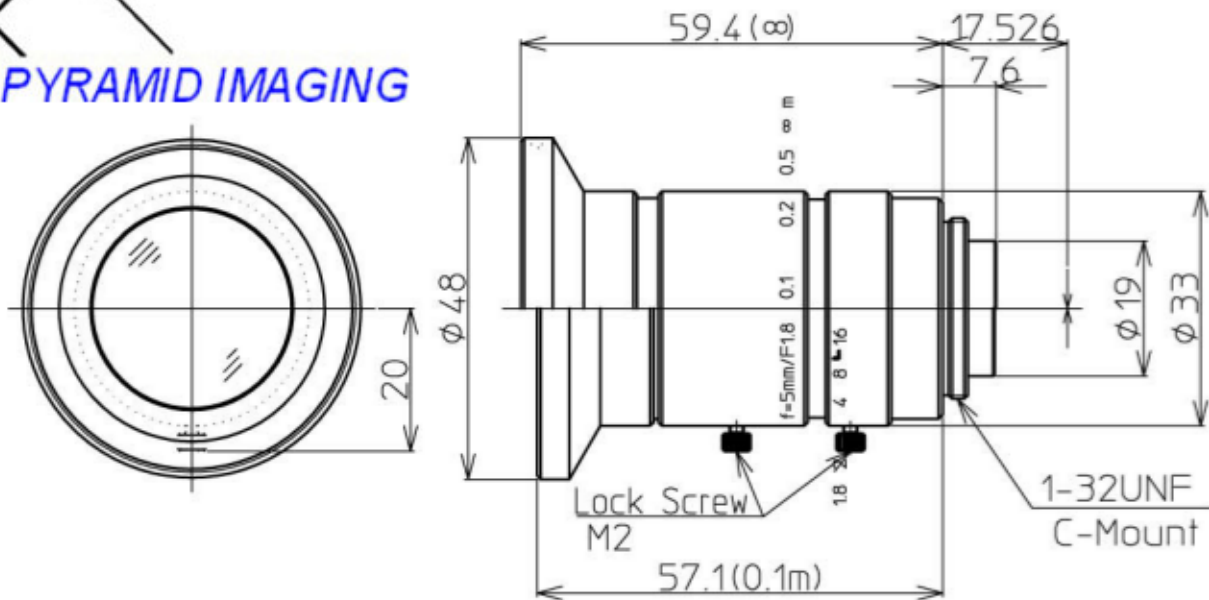


# PYRAMID IMAGING



2/3" 1.8/5mm C		1/2"	1/3"
FOCAL LENGTH		f=5mm	
MAX. DIAMETER (RATIO)		F=1:1.8~16	
ELEMENT		8 ELEMENTS 9 GROUPS	
PICTURE SIZE		6.6x8.8mm	3.6x4.8
ANGLE	VER. ANGLE	66.5°	39.5
	HOR. ANGLE	82.2°	51.1°
	DIA. ANGLE	95.4°	61.6°
DISTORTION (TV)		-0.33%	-
SHOOTING RANGE AT	VER.	147.0mm	80.0mm
MINIMUM FOCUS	HOR.	197.0mm	106.8mm
DISTANCE	DIA.	249.7mm	178.6mm
MINIMUM FOCUS DISTANCE		0.1m	
FLANGE BACK		17.526mm in air	
BACK FOCUS		10.3mm in air	
FILTER SCREW SIZE		M46x0.75	
FRONT/REAR EFFECTIVE DIA.		FRONT $\phi$ 27.5mm	REAR $\phi$ 14.3mm
MOUNT		C-MOUNT	
EXIT PUPIL		338.7	
TEMPERATURE RANGE		-10~+50° C	
STORAGE TEMPERATURE RANGE		-20~+60° C	
RESOLUTION CENTER/CORNER		CENTER 200本/mm CORNER 160本/mm	
LENS COATING		WIDE BAND MULTI COATING	
WEIGHT		120g	

		尺度	1/1	承認	入木	製	富永
		機種名	2/3" F1.8 f=5mm				
		機種番	1-19552				
09.09.01	作成年月日						