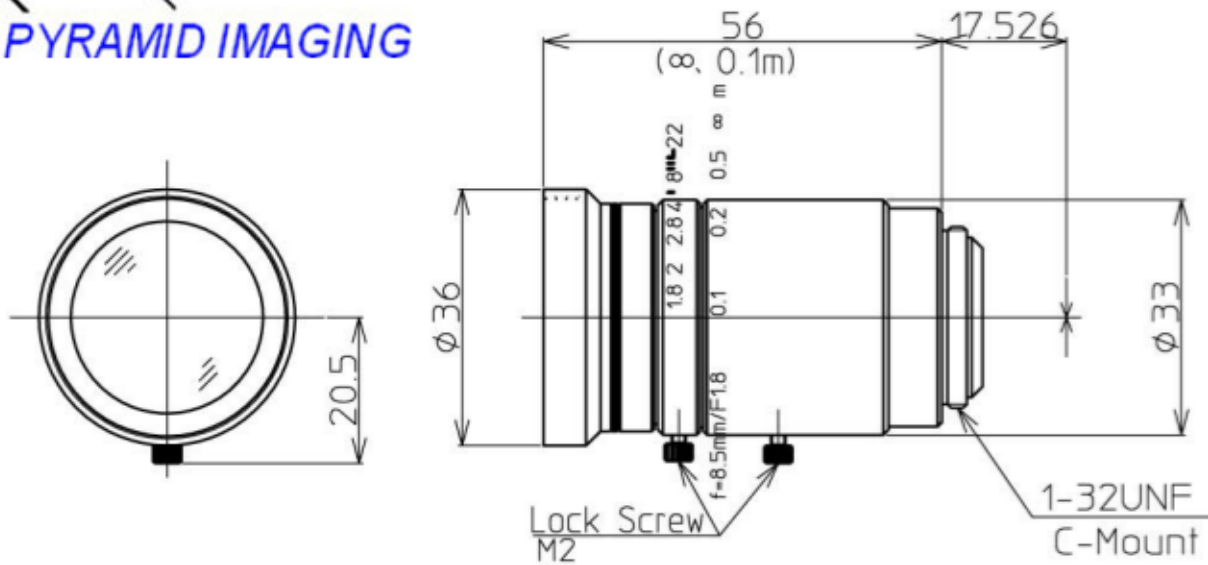


PYRAMID IMAGING



2/3" 1.8/8.5mm C		1/2"	1/3"
FOCAL LENGTH		f=8.5mm	
MAX. DIAMETER (RATIO)		F=1:1.8~22	
ELEMENT		9 GROUPS 11 ELEMENTS	
PICTURE SIZE		6.6x8.8mm	3.6x4.8
ANGLE	VER. ANGLE	41.9°	31.2°
	HOR. ANGLE	54.0°	40.8°
	DIA. ANGLE	64.6°	49.8°
DISTORTION (TV)		0.31%	-
SHOOTING RANGE AT	VER.	99.6mm	72.2mm
MINIMUM FOCUS	HOR.	133.2mm	96.5mm
DISTANCE	DIA.	166.5mm	121.0mm
MINIMUM FOCUS DISTANCE		0.1m	
FLANGE BACK		17.526mm in air	
BACK FOCUS		12.1mm in air	
FILTER SCREW SIZE		M34x0.5	
FRONT/REAR EFFECTIVE DIA.		FRONT ϕ 26.7mm	REAR ϕ 13.1mm
MOUNT		C-MOUNT	
EXIT PUPIL		-128.2	
TEMPERATURE RANGE		-10~+50° C	
STORAGE TEMPERATURE RANGE		-20~+60° C	
RESOLUTION CENTER/CORNER		CENTER 200lp/mm	CORNER 160lp/mm
LENS COATING		WIDE BAND MULTI COATING	
WEIGHT		115 g	

		尺度	1/1	承認	八木	製	富永
		機種名	2/3" F1.8 f=8.5mm				
		機種番	1-19553				
09.08.31	作成年月日						