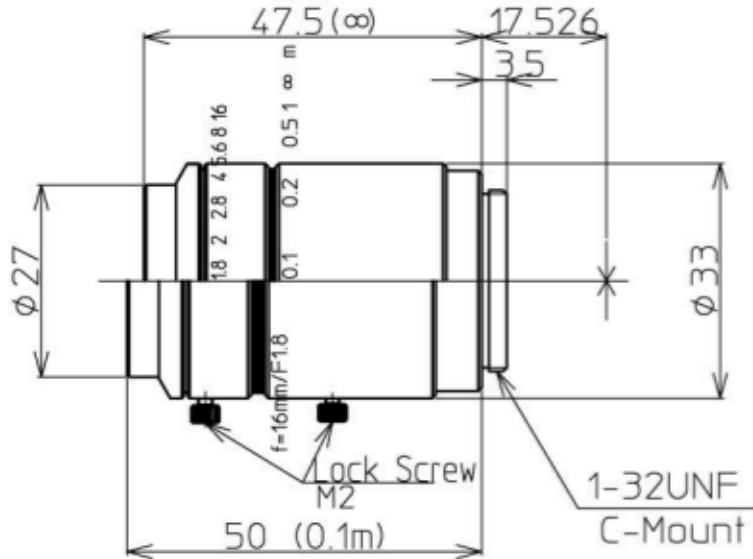
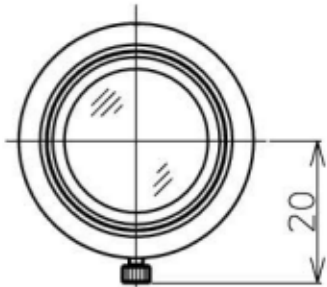


PYRAMID IMAGING



2/3" 1.8/16mm C		1/2"	1/3"
FOCAL LENGTH		f=16mm	
MAX. DIAMETER (RATIO)		F=1:1.8~16	
ELEMENT		8 ELEMENTS 10 GROUPS	
PICTURE SIZE		6.6x8.8mm	3.6x4.8
ANGLE	VER. ANGLE	22.7°	12.5°
	HOR. ANGLE	30.0°	16.6°
	DIA. ANGLE	37.1°	20.7°
DISTORTION (TV)		-	-
SHOOTING RANGE AT	VER.	45.7mm	24.8mm
	HOR.	61.1mm	33.1mm
	DIA.	76.5mm	41.5mm
MINIMUM FOCUS DISTANCE		0.1m	
FLANGE BACK		17.526 mm in air	
BACK FOCUS		14.6mm in air	
FILTER SCREW SIZE		M25.5x0.5	
FRONT/REAR EFFECTIVE DIA.		FRONT ϕ 21.2mm	REAR ϕ 13.4mm
MOUNT		C-MOUNT	
EXIT PUPIL		-53.6mm	
TEMPERATURE RANGE		-10~+50° C	
STORAGE TEMPERATURE RANGE		-20~+60° C	
RESOLUTION CENTER/CORNER		CENTER 200lp/mm CORNER 160lp/mm	
LENS COATING		WIDE BAND MULTI COATING	
WEIGHT		90 g	

		尺度	1/1	承認	八木	製図	八木
		機種名	2/3" F1.8 f=16mm				
		機種番	1-19555				
09.09.01	作成年月日						