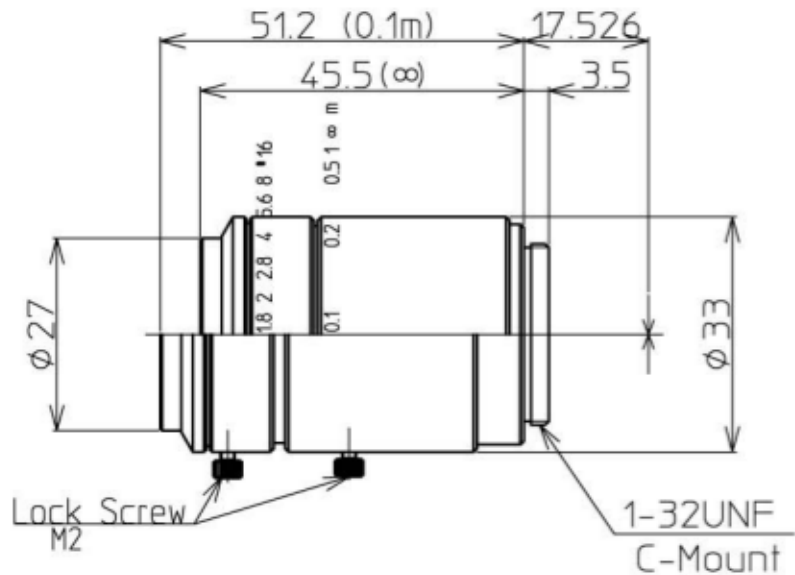
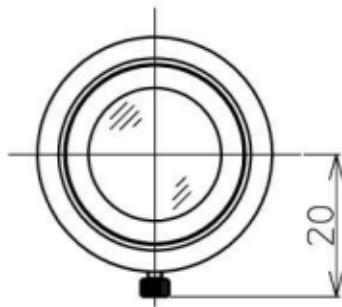


# PYRAMID IMAGING



2/3" 1.8/25mm C		1/2"	1/3"
FOCAL LENGTH		f=25mm	
MAX. DIAMETER (RATIO)		F=1:1.8~16	
ELEMENT		9 ELEMENTS 10 GROUPS	
PICTURE SIZE		6.6x8.8mm	3.6x4.8
ANGLE	VER. ANGLE	15.1°	8.2°
	HOR. ANGLE	20.0°	11.0°
	DIA. ANGLE	24.9°	13.7°
DISTORTION (TV)		-0.09%	-
SHOOTING RANGE AT	VER.	27.5mm	15.0mm
MINIMUM FOCUS	HOR.	36.7mm	20.0mm
DISTANCE	DIA.	46.0mm	25.0mm
MINIMUM FOCUS DISTANCE		0.1m	
FLANGE BACK		17.526mm in air	
BACK FOCUS		17.9mm in air	
FILTER SCREW SIZE		M25.5x0.5	
FRONT/REAR EFFECTIVE DIA.		FRONT φ18.4mm	REAR φ18.4mm
MOUNT		C-MOUNT	
EXIT PUPIL		-84.4	
TEMPERATURE RANGE		-10~+50° C	
STORAGE TEMPERATURE RANGE		-20~+60° C	
RESOLUTION CENTER/CORNER		CENTER 200lp/mm CORNER 160lp/mm	
LENS COATING		WIDE BAND MULTI COATING	
WEIGHT		95 g	

	尺度	1/1	承認	八木	製	富永
	機種名	2/3" F1.8 f=25mm				
	機種番	1-19556				
09.09.01	作成年月日					