

**OUTLINE**

Lens Specifications - NMV - 12			
Specifications	Value	1/2"	1/3"
Focal Length	f = 12mm		
Maximum diameter (Ratio)	F = 1.4:1 ~ 16 ~ Close		
Element	6gp. 6 Element		
Picture Size	6.6 x 8.8mm	4.8 x 6.4mm	3.6 x 4.8 mm
Angle - Vertical	31.7 deg.	23.0 deg.	17.2 deg.
Horizontal	42.5 deg.	30.7 deg.	23.0deg.
Diagonal	53.7 deg.	38.5 deg	28.8deg.
Distortion	-10.7%	-5.0%	-2.7%
Shooting Range - Vertical	173mm	123.8mm	92.2mm
At Minimum - Horizontal	237mm	167.2mm	123.8mm
Focus Distance - Diagonal	307mm	212.8mm	156.2mm
Minimum Focus Distance	0.1m		
Flange Back	17.526mm in air		
Back Focus	11.12mm in air		
Filter Screw Size	M27 X 0.5		
Effective Diameter - Front	12.3mm dia.		
- Rear	11.7mm dia.		
Mount	C-Mount		
Exit Pupil	-38.9mm dia.		
Temperature Range	- 10 ~ + 45 deg. C		
Strong Temperature Range	- 40 ~ + 60 deg. C		
Resolution - Center	100 Lp/mm		
- Corner	40 Lp/mm		

UNLESS OTHERWISE SPECIFIED DIMENSIONS ARE IN INCHES AND INCLUDE CHEMICALLY APPLIED OR PLATED FINISHES

SCALE: 1.5:1

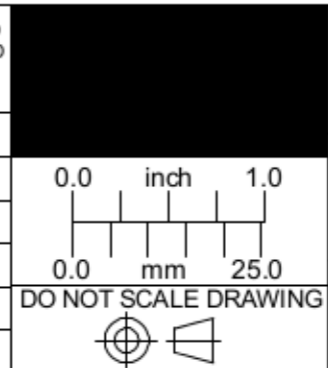
WEIGHT: See Table

DR: BE

CH:

PROJECT #: E2338

DATE DR: 7/13/2007



Pyramid Imaging, Inc.  
4951 E Adamo Dr. Suite 224  
Tampa, FL 33605  
HUBZone & ISO9001:2008 Certified

Phone: 813-984-0125  
Fax: 866-874-9521  
Sales@PyramidImaging.com  
www.PyramidImaging.com

LENS, 12.0mm FL, , 2/3", f/1.4

SIZE **B**

**NMV - 12**

SHEET 1 OF 1

REV **A**