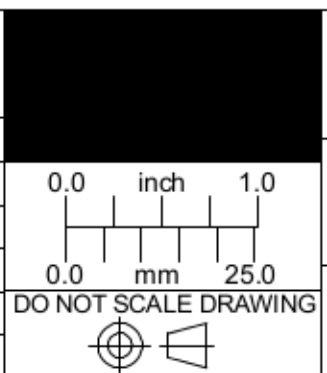


### OUTLINE

Lens Specifications - NMV - 35			
Specifications	Value	1/2"	1/3"
Focal Length	f = 35mm		
Maximum diameter (Ratio)	F = 1.4:1 ~ 16 ~ Close		
Element	4gp. 6 Element		
Picture Size	6.6 x 8.8mm	4.8 x 6.4mm	3.6 x 4.8 mm
Angle - Vertical	10.8 deg.	7.9 deg.	5.9 deg.
Horizontal	14.4 deg.	10.5 deg.	7.9 deg.
Diagonal	17.9 deg.	13.1 deg.	9.8 deg.
Distortion	-0.21%	-	-
Shooting Range - Vertical	94.7mm	68.8mm	51.6mm
At Minimum - Horizontal	126.6mm	91.9mm	68.8mm
Focus Distance - Diagonal	158.7mm	115.0mm	86.1mm
Minimum Focus Distance	0.35m		
Flange Back	17.526mm in air		
Back Focus	14.9mm in air		
Filter Screw Size	M30.5 X 0.5-		
Effective Diameter - Front	21.7mm dia.		
- Rear	12.9mm dia.		
Mount	C-Mount		
Exit Pupil	-40.6mm dia.		
Temperature Range	- 10 ~ + 45 deg. C		
Strong Temperature Range	- 40 ~ + 60 deg. C		
Resolution - Center	100 Line/mm		
- Corner	40 Line/mm		

UNLESS OTHERWISE SPECIFIED DIMENSIONS ARE IN INCHES AND INCLUDE CHEMICALLY APPLIED OR PLATED FINISHES	
SCALE:	1.5:1
WEIGHT:	See Table
DR:	BE
CH:	
PROJECT #:	E2338
DATE DR:	7/13/2007



Pyramid Imaging, Inc. 4951 E Adamo Dr. Suite 224 Tampa, FL 33605 HUBZone & ISO9001:2008 Certified		Phone: 813-984-0125 Fax: 866-874-9521 Sales@PyramidImaging.com www.PyramidImaging.com	
LENS, 35.0mm FL, , 2/3", f/1.6			
SIZE	<b>NMV - 35</b>		REV
<b>B</b>	SHEET 1 OF 1		<b>A</b>