

OUTLINE

Lens Specifications - NMV - 6			
Specifications	Value	1/2"	1/3"
Focal Length	f = 6mm		
Maximum diameter (Ratio)	F = 1.4:1 ~ 16 ~ Close		
Element	7gp. 8 Element		
Picture Size	6.6 x 8.8mm	4.8 x 6.4mm	3.6 x 4.8 mm
Angle - Vertical	61.2 deg.	44.5 deg.	33.3 deg.
Horizontal	81.9 deg.	59.4 deg.	44.5 deg.
Diagonal	102.9 deg.	74.3 deg.	55.6 deg.
Distortion	-10.7%	-5.0%	-2.7%
Shooting Range - Vertical	251mm	173.3mm	136.9mm
At Minimum - Horizontal	367mm	241.4mm	173.3mm
Focus Distance - Diagonal	530mm	320.8mm	223.6mm
Minimum Focus Distance	0.1m		
Flange Back	17.526mm in air		
Back Focus	11.3mm in air		
Filter Screw Size	-		
Effective Diameter - Front	21.5mm dia.		
- Rear	11.0mm dia.		
Mount	C-Mount		
Exit Pupil	-30.2mm dia.		
Temperature Range	- 10 ~ + 45 deg. C		
Strong Temperature Range	- 40 ~ + 60 deg. C		
Resolution - Center	100 Line/mm		
- Corner	40 Line/mm		

UNLESS OTHERWISE SPECIFIED DIMENSIONS ARE IN INCHES AND INCLUDE CHEMICALLY APPLIED OR PLATED FINISHES

SCALE: 1.5:1

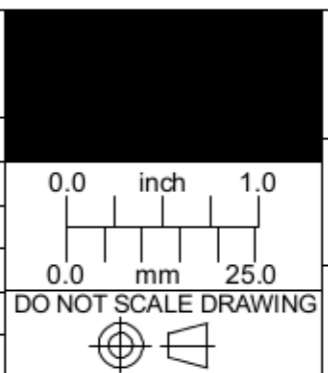
WEIGHT: See Table

DR: BE

CH:

PROJECT #:

DATE DR: 7/13/2007



Pyramid Imaging, Inc.
4951 E Adamo Dr. Suite 224
Tampa, FL 33605
HUBZone & ISO9001:2008 Certified

Phone: 813-984-0125
Fax: 866-874-9521
Sales@PyramidImaging.com
www.PyramidImaging.com

LENS, 6.0mm FL, , 2/3", f/1.4

SIZE	B	NMV - 6	REV
		SHEET 1 OF 1	A