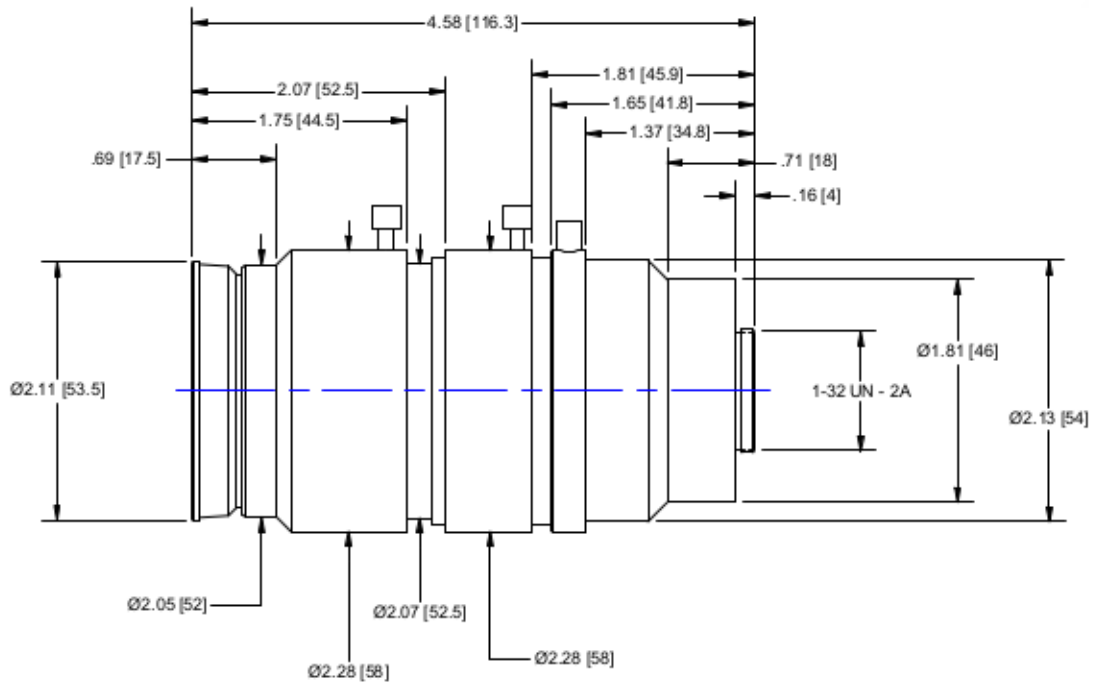
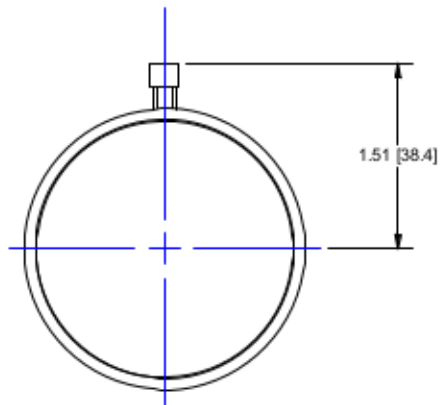


Pyramid Imaging, Inc.
 4951 E Adamo Dr. Suite 224
 Tampa, FL 33605
 HUBZone & ISO9001:2008 Certified

Phone: 813-984-0125
 Fax: 866-874-9521
 Sales@PyramidImaging.com
 www.PyramidImaging.com



Lens Specifications - NMV - 6X11.5	
Specification	Value - 2/3"
Focal Length	11.5 - 69mm
Max. Relative Aperture	1:1.4
Iris	F1.4 - Close
Zoom Ratio	6X
Angular Field of View	41.9 X 32.0 deg at 11.5mm 7.3 X 5.5 deg at 69mm
Image Format	8.8 X 6.5mm
Minimum Object Distance	1.0m
Object Dimensions at M.O.D.	72.8 X 54.6cm at 11.5mm 12.8 X 9.6cm at 69mm
Back Focus	17.93mm in air
Flange Back	17.526mm
Temperature Range	-10 ~ +50deg C
Mount	C-mount
Front Thread	M46x0.75
Weight	410 g

OUTLINE

UNLESS OTHERWISE SPECIFIED DIMENSIONS ARE IN INCHES AND INCLUDE CHEMICALLY APPLIED OR PLATED FINISHES	
SCALE:	1:1
WEIGHT:	N/A
DR BY:	CJH
CH BY:	BJC
PROJECT #:	E2993
DATE DR:	9/21/2012
DO NOT SCALE DRAWING	

LENS, CCTV, 2/3", 11.5-69MM, F/1.4

SIZE B	NMV-6X11.5 SHEET 1 OF 1	REV A
------------------	-----------------------------------	-----------------