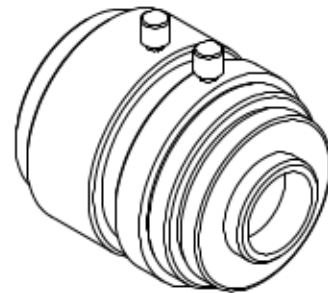
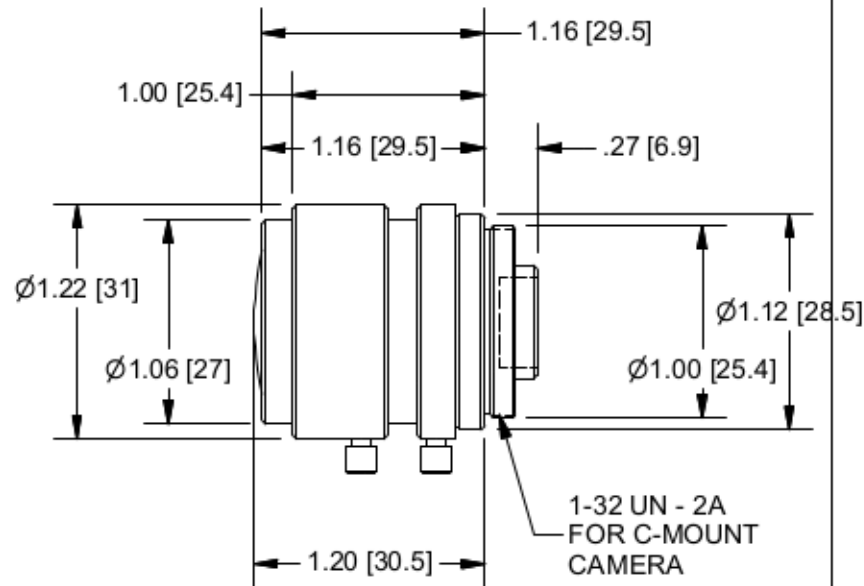
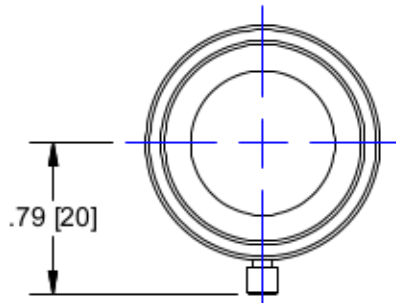


# PYRAMID IMAGING

LENS SPECIFICATIONS - NMV6WA	
Specification	Value
Focal length	f=12.0 mm+/-5%
Max. Diameter (Ratio)	F=1:1.4+/-5%
Element	5 Group 6 Elements
Picture Size	4.8 x 6.4mm
Angle - Horizontal	23.0
Angle - Vertical	30.7
Angle - Diagonal	38.5
Distortion (TV)	-0.8%
Shooting Range @ M.O.D. - Horizontal	123 mm
Shooting Range @ M.O.D. - Vertical	167 mm
Shooting Range @ M.O.D. - Diagonal	213 mm
Minimum Object Distance	0.3m
Flange Back	17.526 mm in air
Back Focus	11.12 mm in air
Filter Screw Size	M30.5 x 0.5
Effective Diameter - Front	12.3 mm dia.
Effective Diameter - Rear	11.7 mm dia.
Mount	C - Mount
Exit Pupil	-38.9 mm
Temperature Range	-10 ~ +45 deg. C
Strong Temperature Range	-40 ~ +60 deg. C
Resolution - Center	100 Line/mm
Resolution - Corner	60 Line/mm
Stopper Strength	10 kgf * cm
Endurance Tests - Iris	5000 Times
Endurance Tests - Focus	5000 Times
Operating Torque - Iris	50 ~ 600 gf * cm
Operating Torque - Focus	100 ~ 1000 gf * cm
Weight	60g+/-5g



## OUTLINE

UNLESS OTHERWISE SPECIFIED DIMENSIONS ARE IN INCHES AND INCLUDE CHEMICALLY APPLIED OR PLATED FINISHES	
SCALE:	1:1
WEIGHT:	See Table
DR:	BE
CH:	
PROJECT #:	E2338
DATE DR:	7/10/2007

0.0 inch 1.0  
0.0 mm 25.0

DO NOT SCALE DRAWING

Pyramid Imaging, Inc. 4951 E Adamo Dr. Suite 224 Tampa, FL 33605 HUBZone & ISO9001:2008 Certified		Phone: 813-984-0125 Fax: 866-874-9521 Sales@PyramidImaging.com www.PyramidImaging.com	
LENS, 12.0 mm FL, WD. ANG., 1/2", f/1.4			
SIZE	<b>NMV -12WA</b>	REV	<b>A</b>
<b>A</b>	SHEET 1 OF 1		<b>A</b>