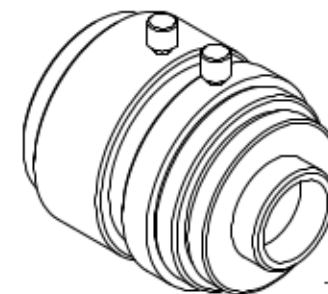
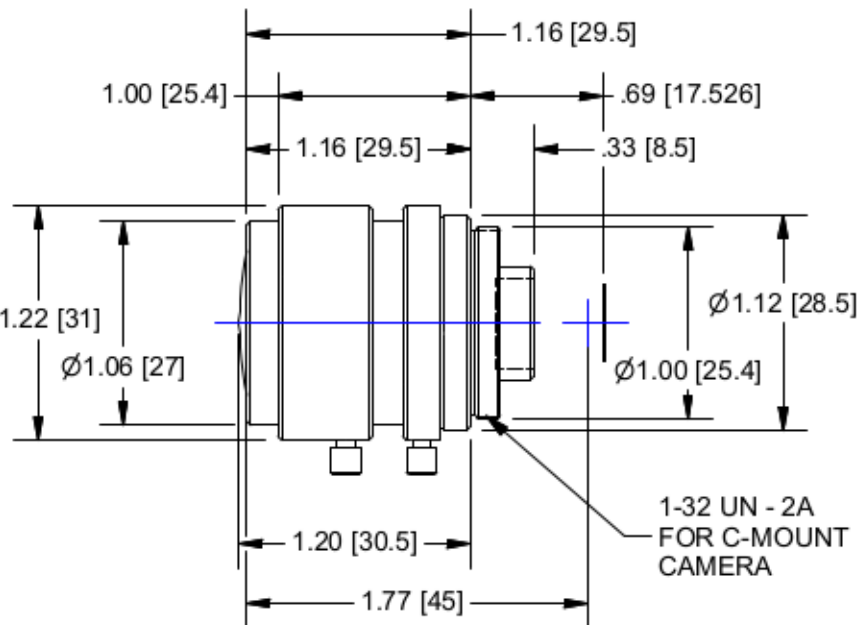
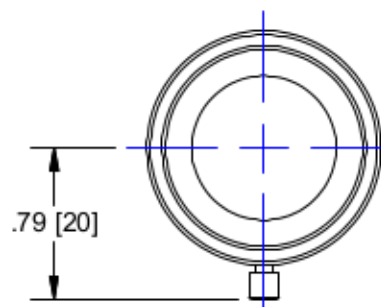


LENS SPECIFICATIONS - NMV4WA	
Specification	Value - 1/2"
Focal length	f=3.5mm+/-5%
Max. Diameter (Ratio)	F=1:1.4+/-5%
Element	6 Group 7 Elements
Picture Size	4.8 X 6.4mm
Angle - Horizontal Vertical Diagonal	76.6 103.6 132.1
Distortion (TV)	-28%
Shooting Range @ M.O.D. - Horizontal Verical Diagonal	247 mm 396 mm 688 mm
Minimum Object Distance	0.2m
Flange Back	17.526 mm in air
Back Focus	8.89 mm in air
Effective Diameter - Front - Rear -	19.6 mm dia. 10.4 mm dia.
Mount	C - Mount
Exit Pupil	-71.4 mm
Temperature Range	-10 ~ +45 deg. C
Strong Temperature Range	-40 ~ +60 deg. C
Resolution - Center - Cornter	100 Line/mm 60 Line/mm
Stopper Strength	10 kgf * cm
Endurance Tests - Iris - Focus -	5000 Times 5000 Times
Operating Torque - Iris - Focus -	50 ~ 600 gf * cm 100 ~ 1000 gf * cm
Weight -	73g+/-5g



## OUTLINE

UNLESS OTHERWISE SPECIFIED DIMENSIONS ARE IN INCHES AND INCLUDE CHEMICALLY APPLIED OR PLATED FINISHES	
SCALE:	1:1
WEIGHT:	See Table
DR:	BE
CH:	
PROJECT #:	
DATE DR:	7/10/2007

0.0 inch 1.0  
0.0 mm 25.0

DO NOT SCALE DRAWING

Pyramid Imaging, Inc. 4951 E Adamo Dr. Suite 224 Tampa, FL 33605 HUBZone & ISO9001:2008 Certified		Phone: 813-984-0125 Fax: 866-874-9521 Sales@PyramidImaging.com www.PyramidImaging.com	
LENS, 3.5mm FL, WD. ANG., 1/2", f/1.4			
SIZE <b>A</b>	<b>NMV - 4WA</b>		REV <b>A</b>
SHEET 1 OF 1			