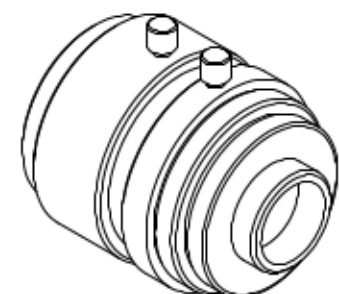
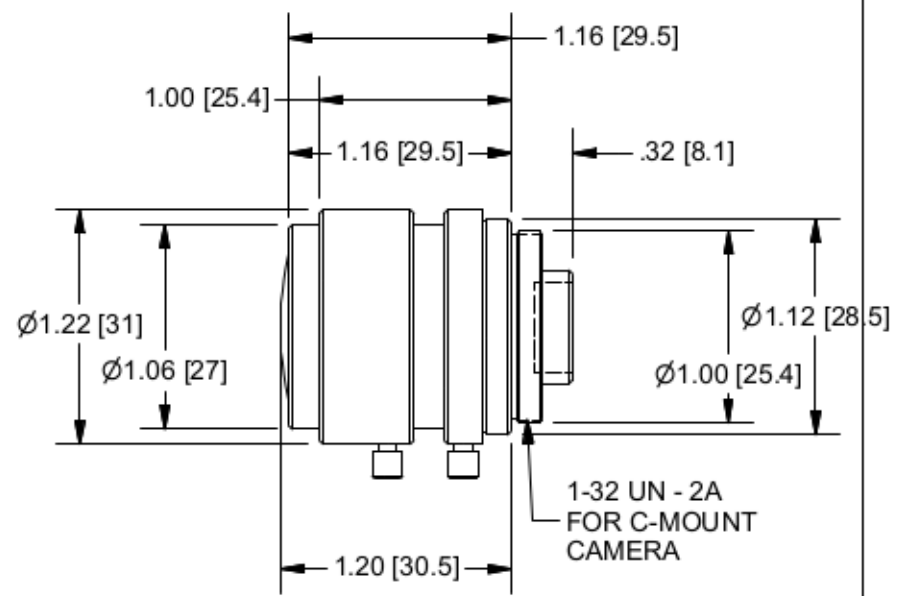
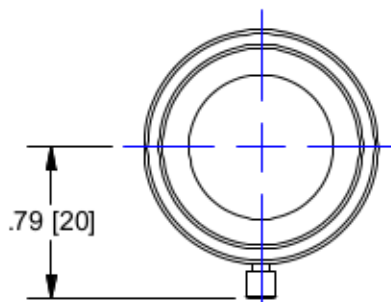


PYRAMID IMAGING

LENS SPECIFICATIONS - NMV5WA	
Specification	Value
Focal length	f=4.5mm+/-5%
Max. Diameter (Ratio)	F=1:1.4+/-5%
Element	6 Group 7 Elements
Picture Size	4.8 x 6.4mm
Angle - Horizontal	59.4
Vertical	79.0
Diagonal	98.2
Distortion (TV)	-17.1%
Shooting Range @ M.O.D. - Horizontal	180 mm
Verical	260 mm
Diagonal	364 mm
Minimum Object Distance	0.2m
Flange Back	17.526 mm in air
Back Focus	9.96mm in air
Filter Screw Size	
Effective Diameter - Front -	15.2 mm dia.
Rear -	10.1 mm dia.
Mount	C - Mount
Exit Pupil	-17.5 mm
Temperature Range	-10 ~ +45 deg. C
Strong Temperature Range	-40 ~ +60 deg. C
Resolution - Center -	100 Line/mm
Cornter	60 Line/mm
Stopper Strength	10 kgf * cm
Endurance Tests - Iris -	5000 Times
Focus -	5000 Times
Operating Torque - Iris -	50 ~ 600 gf * cm
Focus -	100 ~ 1000 gf * cm
Weight -	71g+/-5g



OUTLINE

UNLESS OTHERWISE SPECIFIED DIMENSIONS ARE IN INCHES AND INCLUDE CHEMICALLY APPLIED OR PLATED FINISHES		Pyramid Imaging, Inc. 4951 E Adamo Dr. Suite 224 Tampa, FL 33605 HUBZone & ISO9001:2008 Certified		Phone: 813-984-0125 Fax: 866-874-9521 Sales@PyramidImaging.com www.PyramidImaging.com	
SCALE:	1:1				
WEIGHT:	See Table				
DR:	BE				
CH:					
PROJECT #:		LENS, 4.5mm FL WD. ANG., 1/2", f/1.4			
DATE DR:	7/10/2007	DO NOT SCALE DRAWING	SIZE A	NMV - 5WA	REV A
			SHEET 1 OF 1		