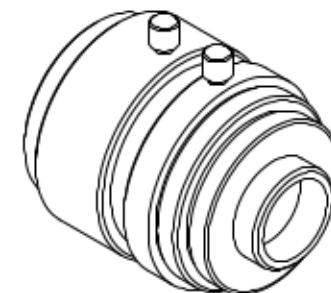
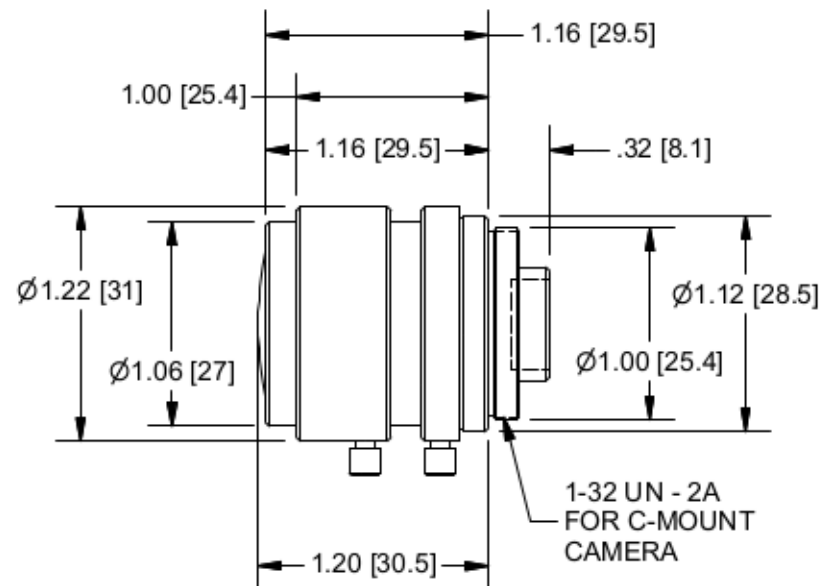
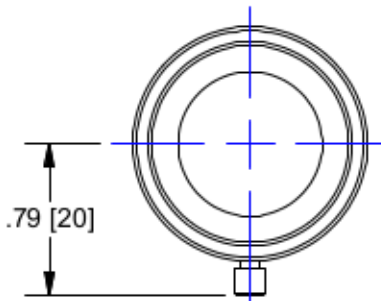


PYRAMID IMAGING

LENS SPECIFICATIONS - NMV6WA	
Specification	Value
Focal length	f=6.0 mm +/-5%
Max. Diameter (Ratio)	F=1:1.4 +/-5%
Element	6 Group 7 Elements
Picture Size	4.8 x 6.4mm
Angle - Horizontal	44.0
Vertical	57.3
Diagonal	69.4
Distortion (TV)	-1.0%
Shooting Range @ M.O.D. - Horizontal	128 mm
Verical	174 mm
Diagonal	221 mm
Minimum Object Distance	0.2m
Flange Back	17.526 mm in air
Back Focus	9.46mm in air
Filter Screw Size	M25.5 x 0.5
Effective Diameter - Front -	16.2 mm dia.
Rear -	8.7 mm dia.
Mount	C - Mount
Exit Pupil	-77.3 mm
Temperature Range	-10 ~ +45 deg. C
Strong Temperature Range	-40 ~ +60 deg. C
Resolution - Center -	100 Line/mm
Cornter	60 Line/mm
Stopper Strength	10 kgf * cm
Endurance Tests - Iris -	5000 Times
Focus -	5000 Times
Operating Torque - Iris -	50 ~ 600 gf * cm
Focus -	100 ~ 1000 gf * cm
Weight -	60g +/-5g



OUTLINE

UNLESS OTHERWISE SPECIFIED DIMENSIONS ARE IN INCHES AND INCLUDE CHEMICALLY APPLIED OR PLATED FINISHES	
SCALE:	1:1
WEIGHT:	See Table
DR:	BE
CH:	
PROJECT #:	E2338
DATE DR:	7/10/2007

0.0 inch 1.0
0.0 mm 25.0

DO NOT SCALE DRAWING

Pyramid Imaging, Inc. 4951 E Adamo Dr. Suite 224 Tampa, FL 33605 HUBZone & ISO9001:2008 Certified		Phone: 813-984-0125 Fax: 866-874-9521 Sales@PyramidImaging.com www.PyramidImaging.com	
LENS, 6.0mm FL, WD. ANG., 1/2", f/1.4			
SIZE	NMV -6WA	REV	A
A	SHEET 1 OF 1		A