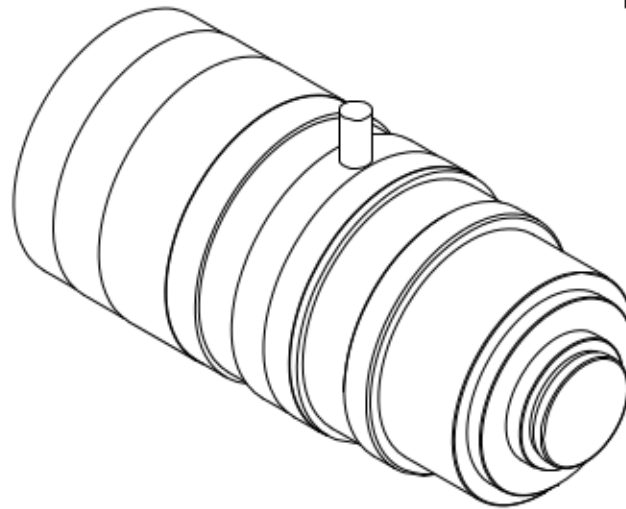
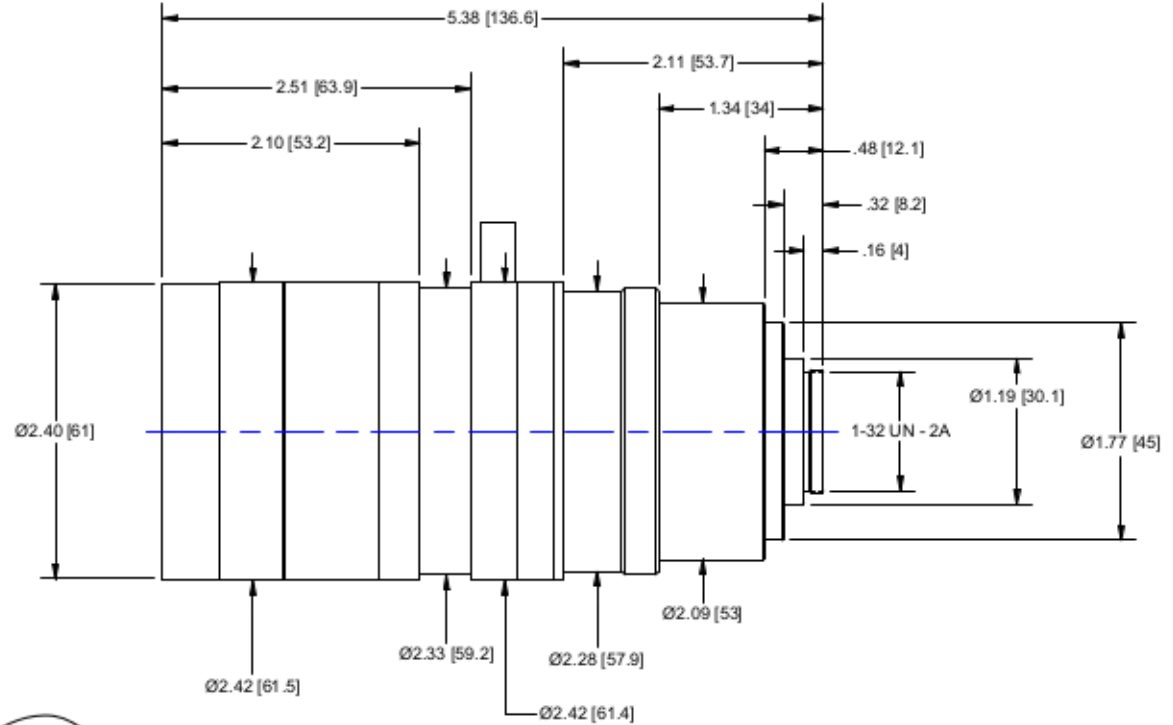
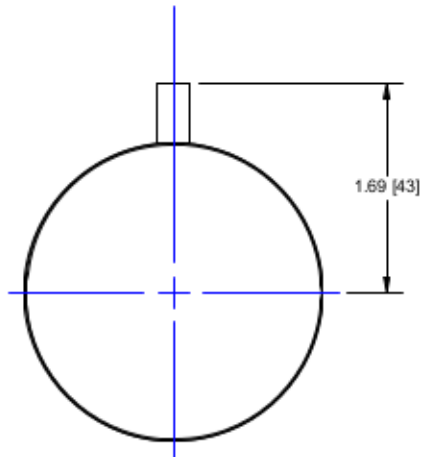


Pyramid Imaging, Inc.
 4951 E Adamo Dr. Suite 224
 Tampa, FL 33605
 HUBZone & ISO9001:2008 Certified

Phone: 813-984-0125
 Fax: 866-874-9521
 Sales@PyramidImaging.com
 www.PyramidImaging.com



Lens Specifications - NMV - 6X16	
Specification	Value
Focal Length	16 - 100mm
Maximum Relative Aperture	1:1.9
Iris	F1.9 - Close
Zoom Ratio	6X
Angular Field of View	43.6 X 33.4 deg at 16mm 73. X 5.5 deg at 100mm
Image Format	12.8 X 9.6mm
Minimum Object Distance	1.1m
Object Dimensions at M.O.D.	81.2 X 60.9cm at 16mm 13.6 X 10.2cm at 100mm
Back Focus	18.14mm in air
Flange Back	17.526mm
Temperature Range	-10 ~ +50 deg C
Mount	C-mount
Front Thread	M58x0.75
Weight	620 g

OUTLINE

UNLESS OTHERWISE SPECIFIED
 DIMENSIONS ARE IN INCHES
 AND INCLUDE CHEMICALLY
 APPLIED OR PLATED FINISHES

SCALE: 1:1
 WEIGHT: N/A
 DR BY: CJH
 CH BY: BJC
 PROJECT #: E2993
 DATE DR: 9/20/2012



LENS, 16-100MM, F/1.9-C, 1"

DO NOT SCALE DRAWING

SIZE
B

NMV-6X16
 SHEET 1 OF 1

REV
A