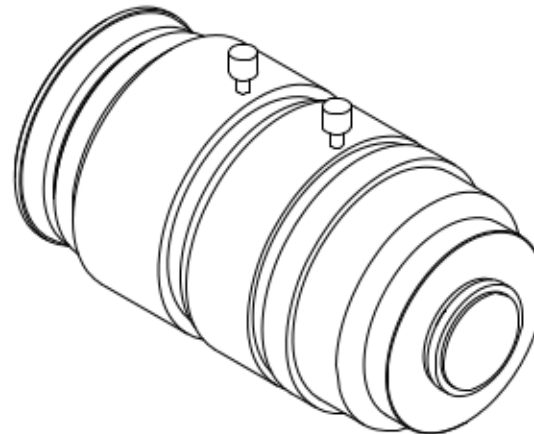
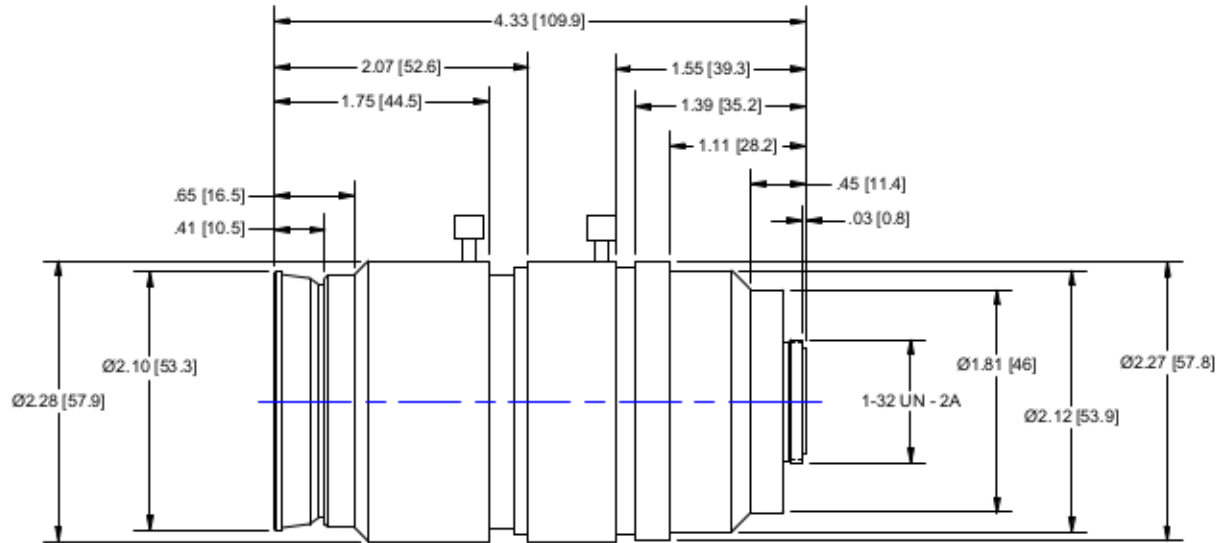
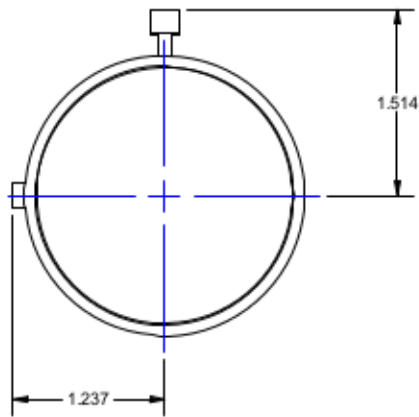




Pyramid Imaging, Inc.
 4951 E Adamo Dr. Suite 224
 Tampa, FL 33605
 HUBZone & ISO9001:2008 Certified

Phone: 813-984-0125
 Fax: 866-874-9521
 Sales@PyramidImaging.com
 www.PyramidImaging.com



OUTLINE

Lens Specifications - NMV - 6X8	
Specifications	Value - 1/2"
Focal Length	8 - 48mm
Maximum Aperture	1:1.0
Iris	F1.0 - Close
Zoom Ratio	6X
Angular Field of View	43.6 X 33.4 deg at 8mm 7.7 X 5.7 deg at 48mm
Image Format	6.4 X 4.8mm
Minimum Object Distance	1.0m
Object Dimensions at M.O.D.	74.3X54.9cm at 8mm (37.2X27.5cm at S.N) 12.3X9.3cm at 48mm (6.2X4.7cm at S.N)
Flange Back	17.526mm
Back Focus	14.56mm in air
Mount	C-Mount
Temperature Range	- 10 ~ +50 deg. C
Weight	395 g
Front Thread	M46x0.75

UNLESS OTHERWISE SPECIFIED
 DIMENSIONS ARE IN INCHES
 AND INCLUDE CHEMICALLY
 APPLIED OR PLATED FINISHES

SCALE:	1:1
WEIGHT:	N/A
DR BY:	CJH
CH BY:	BJC
PROJECT #:	E2993
DATE DR:	9/20/2012

LENS, 8-48MM, F/1-CLOSE, MANUAL,
1/2"

DO NOT SCALE DRAWING

SIZE
B

NMV-6X8
SHEET 1 OF 1

REV
A