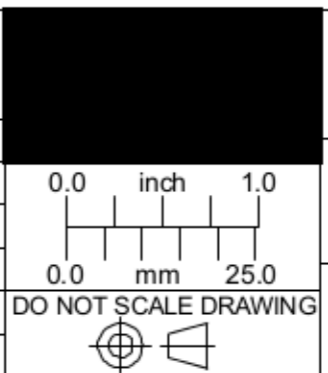


OUTLINE

Lens Specifications - NMV-8M1			
Specifications	Value	2/3"	1/2"
Focal Length	f = 8mm		
Maximum diameter (Ratio)	F = 1.4:1 ~ 16		
Picture Size	12.8x9.6mm	8.8x6.6mm	6.4x4.8 mm
Angle - Vertical	63.0 deg.	44.7 deg.	32.9 deg.
Horizontal	79.7deg.	58.3 deg.	43.4 deg.
Diagonal	92.4 deg.	70.7 deg	53.5 deg.
Distortion	-1.2%	-1.6%	-1.0%
Minimum Focus Distance	0.1m		
Flange Back	17.526mm in air		
Back Focus	11.2mm in air		
Filter Screw Size	M55x0.75		
Effective Diameter - Front	37.4mm dia.		
- Rear	17.5mm dia.		
Mount	C-Mount		
Exit Pupil	-45.9mm dia.		
Temperature Range	- 10 ~ + 45 deg. C		
Strong Temperature Range	- 40 ~ + 60 deg. C		

UNLESS OTHERWISE SPECIFIED DIMENSIONS ARE IN INCHES AND INCLUDE CHEMICALLY APPLIED OR PLATED FINISHES

SCALE: 1.5:1
 WEIGHT: See Table
 DR: BE
 CH:
 PROJECT #: E2338
 DATE DR: 7/13/2007



Pyramid Imaging, Inc.
 4951 E Adamo Dr. Suite 224
 Tampa, FL 33605
 HUBZone & ISO9001:2008 Certified

Phone: 813-984-0125
 Fax: 866-874-9521
 Sales@PyramidImaging.com
 www.PyramidImaging.com

LENS, 8.0mm FL, , 1.0", f/1.4		
SIZE	NMV - 8M1	REV
B		A
SHEET 1 OF 1		