

OUTLINE

Lens Specifications - SWIR-50			
Specifications	Value	1/2"	1/3"
Focal Length	f = 50mm		
Maximum diameter (Ratio)	F = 1.4:1 ~ 16 ~ Close		
Picture Size	12.8 x 9.6mm	8.8 x 6.6mm	6.4 x 4.8mm
Angle - Vertical	10.8 deg.	7.54deg.	5.49 deg.
Horizontal	14.5 deg.	10.0 deg.	7.31deg.
Diagonal	18.0 deg.	12.5deg	9.12 deg.
Distortion (TV)	-0.05%	-0.05%	-0.02%
Minimum Focus Distance	0.5m		
Flange Back	17.526mm in air		
Back Focus	14.8mm in air		
Filter Screw Size	M40.5 x 0.5		
Effective Diameter - Front	35.0mm dia.		
- Rear	15.5mm dia.		
Mount	C-Mount		
Exit Pupil	-44.4mm dia.		
Temperature Range	- 10 ~ + 45 deg. C		
Strong Temperature Range	- 40 ~ + 60 deg. C		

UNLESS OTHERWISE SPECIFIED DIMENSIONS ARE IN INCHES AND INCLUDE CHEMICALLY APPLIED OR PLATED FINISHES

SCALE: 1.5:1

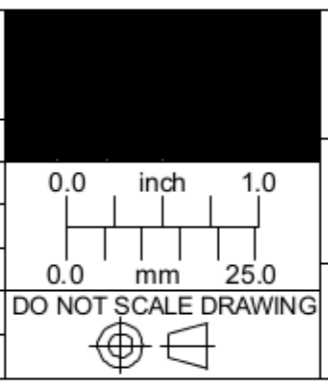
WEIGHT: See Table

DR: R. PODLENA

CH:

PROJECT #:

DATE DR: 6/3/2008



Pyramid Imaging, Inc.
4951 E Adamo Dr. Suite 224
Tampa, FL 33605
HUBZone & ISO9001:2008 Certified

Phone: 813-984-0125
Fax: 866-874-9521
Sales@PyramidImaging.com
www.PyramidImaging.com

LENS, 50mm FL, 1", f/1.4, 700-1900nm

SIZE **B**

SWIR-50

SHEET 1 OF 1

REV **A**