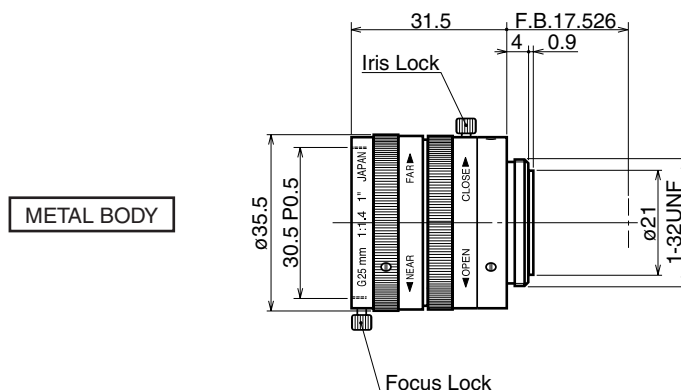


**G25WI****25mm F1.4 – C-Mount**

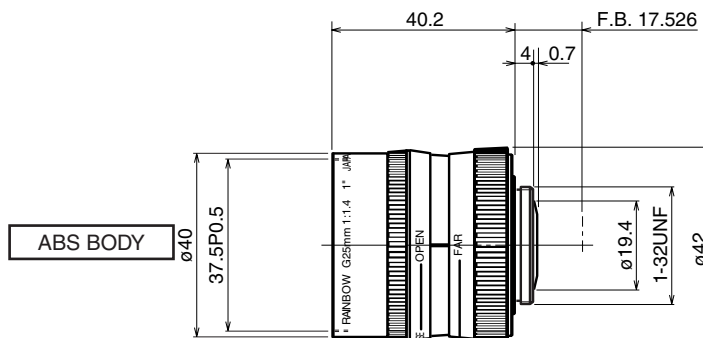
Compatible with 1", 2/3", 1/2", 1/3" &amp; 1/4" Cameras

<b>Focal Length:</b>	25mm
<b>Max. Relative Aperture:</b>	1:1.4
<b>Iris:</b>	F1.4~Close
<b>Angular Field of View:</b>	1": 28.7° × 21.7° 2/3": 20.0° × 15.0° 1/2": 14.6° × 11.0° 1/3": 11.0° × 8.2° 1/4": 8.2° × 6.2°
<b>Min. Object Distance (M.O.D.):</b>	0.5m (From Front Vertex)
<b>Optical Back Focal Distance:</b>	14.32mm (In Air)
<b>Operation:</b>	Focus: Manual Iris: Manual
<b>Operation Temperature:</b>	-10 ~ +50°C (+14 ~ 122° F)
<b>Filter Size:</b>	30.5mm P0.5
<b>Size, Approx. Weight:</b>	ø35.5 × 31.5mm, 90g (Approx. ø1.4 × 1.3in., 3.2oz.)

**G25MWI****25mm F1.4 – C-Mount**

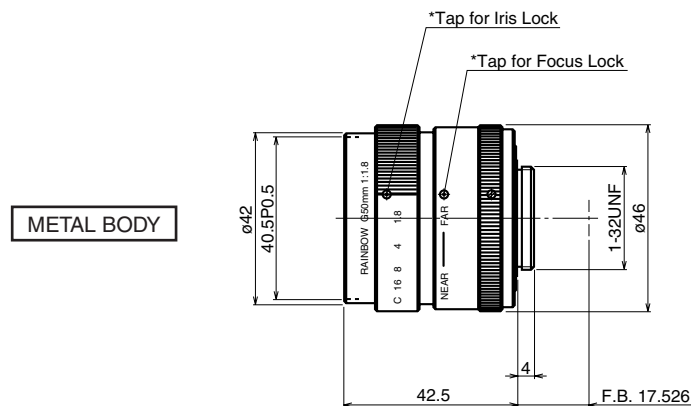
Compatible with 1", 2/3", 1/2", 1/3" &amp; 1/4" Cameras

<b>Focal Length:</b>	25mm
<b>Max. Relative Aperture:</b>	1:1.4
<b>Iris:</b>	F1.4~Close
<b>Angular Field of View:</b>	1": 28.7° × 21.7° 2/3": 20.0° × 15.0° 1/2": 14.6° × 11.0° 1/3": 11.0° × 8.2° 1/4": 8.2° × 6.2°
<b>Min. Object Distance (M.O.D.):</b>	0.5m (From Front Vertex)
<b>Optical Back Focal Distance:</b>	14.32mm (In Air)
<b>Operation:</b>	Focus: Manual Iris: Manual
<b>Operation Temperature:</b>	-10 ~ +50°C (+14 ~ 122° F)
<b>Filter Size:</b>	37.5mm P0.5
<b>Size, Approx. Weight:</b>	ø42 × 40.2mm, 65g (Approx. ø1.7 × 1.6in., 2.3oz.)

**G50WI****50mm F1.8 – C-Mount**

Compatible with 1", 2/3", 1/2", 1/3" &amp; 1/4" Cameras

<b>Focal Length:</b>	50mm
<b>Max. Relative Aperture:</b>	1:1.8
<b>Iris:</b>	F1.8~Close
<b>Angular Field of View:</b>	1": 14.5° × 10.9° 2/3": 10.1° × 7.6° 1/2": 7.3° × 5.5° 1/3": 5.5° × 4.1° 1/4": 4.1° × 3.1°
<b>Min. Object Distance (M.O.D.):</b>	0.7m (From Front Vertex)
<b>Optical Back Focal Distance:</b>	19.71mm (In Air)
<b>Operation:</b>	Focus: Manual Iris: Manual
<b>Operation Temperature:</b>	-10 ~ +50°C (+14 ~ 122° F)
<b>Filter Size:</b>	40.5mm P0.5
<b>Size, Approx. Weight:</b>	ø46 × 42.5mm, 145g (Approx. ø1.8 × 1.7in., 5.1oz.)



NOTE ) \* Lock screws sold separately.