



Schneider Optics Object-Sided Telecentric Lenses

The new Schneider Optics Telecentric Lenses are based on Schneider's prime lenses and provide object-sided telecentricity. Their optical performance is optimized for high accuracy in metrology applications.

The lenses are available in four different magnifications: 0.27X, 0.39X, 0.62X and 0.79X. They are designed to work with 2/3" format cameras, while the 0.79X lens can also accommodate 1" format sensors. This Telecentric family provides an excellent price/performance ratio.

One benefit of using a Schneider Telecentric lens as opposed to our standard Macro series is ultra-low geometric distortion. Another benefit is the telecentric lens will maintain a constant magnification within the specified depth of field and will image features that are only orthogonal to the lens, giving better overall measurement performance particularly at the extremes of the field of view.

| Part Number | Description | Magnification (Image/Object) | Image Circle | Object Dia. | Numerical Aperture | Working Distance ¹ | Telecentric Depth ² | Telecentricity | Weight |
|-------------|------------------------|------------------------------|--------------|-------------|--------------------|-------------------------------|--------------------------------|----------------|--------|
| 21-025915 | 0.27X | 0.27X (3.7X Reduction) | 11mm | 40.7mm | 0.1 | 100mm +/-3mm | 8mm | <0.1deg | 618g |
| 21-025943 | 0.39X | 0.39X (2.6X Reduction) | 11mm | 28.6mm | 0.1 | 104mm +/-2mm | 4mm | <0.1deg | 638g |
| 21-025953 | 0.62X | 0.62X (1.6X Reduction) | 11mm | 17.6mm | 0.1 | 111mm +/-2mm | 1.6mm | <0.1deg | 706g |
| 21-025963 | 0.79X | 0.79X (1.3X Reduction) | 16mm | 20.8mm | 0.09 | 106mm +/-2mm | 1mm | <0.1deg | 808g |
| 21-025971 | Telecentric Lens Clamp | | | | | | | | 213g |

1) Distance from the front metal work of the lens to the object. 2) Measured at 15lp/mm.

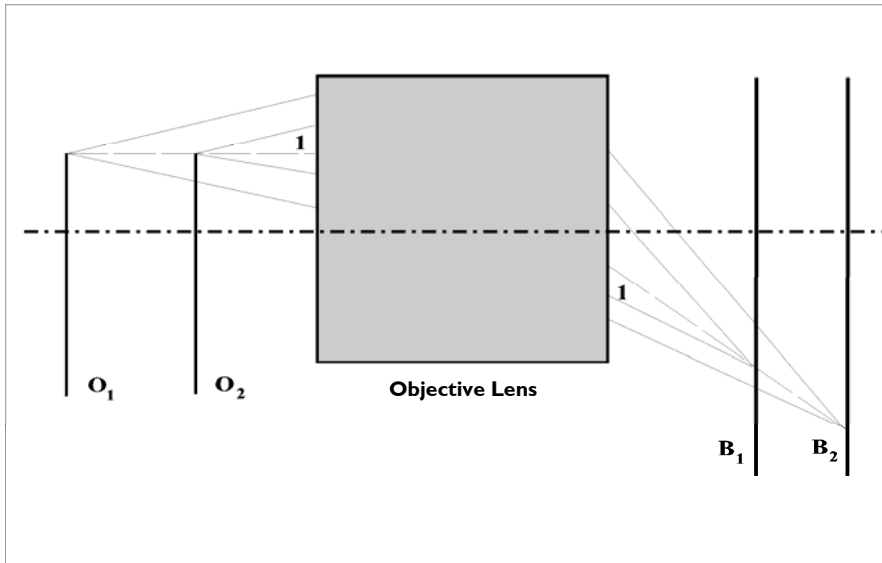
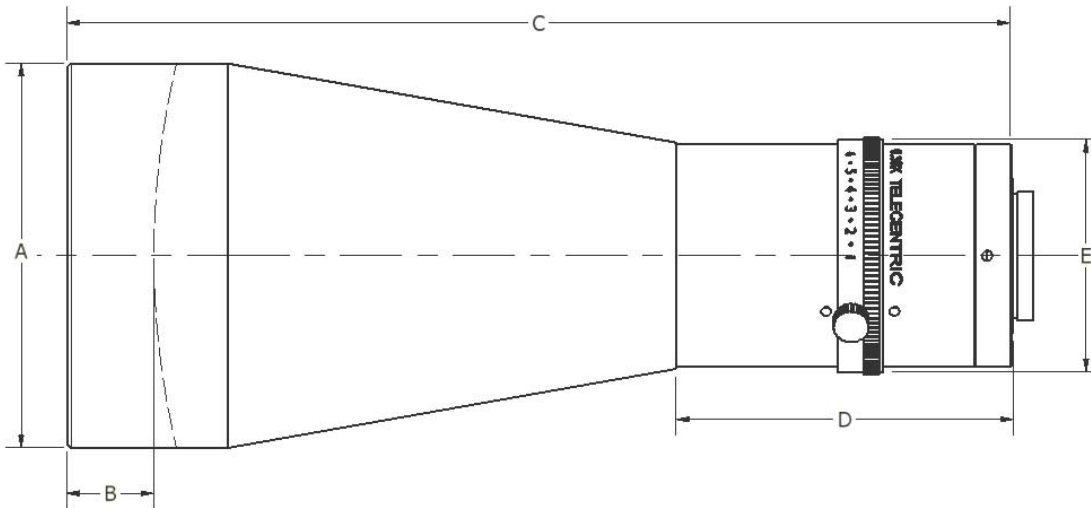


Figure 1 – Object-Sided Telecentric Lens



| Table | | | | | | |
|--------------|---------------|---------|--------|----------|----------|---------|
| STOCK NUMBER | MAGNIFICATION | A | B | C | D | E |
| 21-025915 | 0.27X | 76.0 MM | 9.2 MM | 178.2 MM | 55.6 MM | 46.8 MM |
| 21-025943 | 0.39X | 76.0 MM | 8.9 MM | 189.5 MM | 66.9 MM | 46.8 MM |
| 21-025953 | 0.62X | 76.0 MM | 8.4 MM | 222.9 MM | 100.3 MM | 46.8 MM |
| 21-025963 | 0.79X | 76.0 MM | 8.0 MM | 243.3 MM | 120.8 MM | 46.8 MM |

Figure 3 – Schneider Telecentric Lens Dimensions

Schneider Optics Object-Sided Telecentric Lenses Feature:

- 4 Magnifications available: 0.27X, 0.39X, 0.62X, & 0.79X
- Designed to work with all standard 2/3 inch CCD cameras. The 0.79X will also work with 1 inch CCD cameras.
- Full iris control
- Front filter accessory threads: M72 x 0.75 thread
- Telecentric lens clamp increases system stability

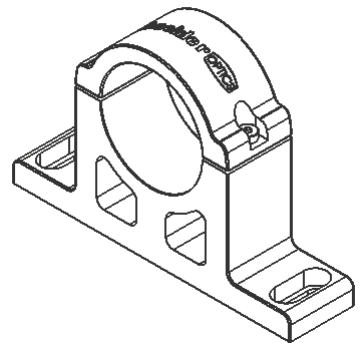


Figure 2 – Mounting Clamp

Schneider Optics, Inc.
 285 Oser Avenue
 Hauppauge, NY 11788 USA
 TEL: +1 631 761-5000
 FAX: +1 631 761-5090

7701 Haskell Avenue
 Van Nuys, CA 91406
 TEL: +1 818 766-3715
 FAX: +1 818 505-9865

industrial@schneideroptics.com
www.schneideroptics.com