



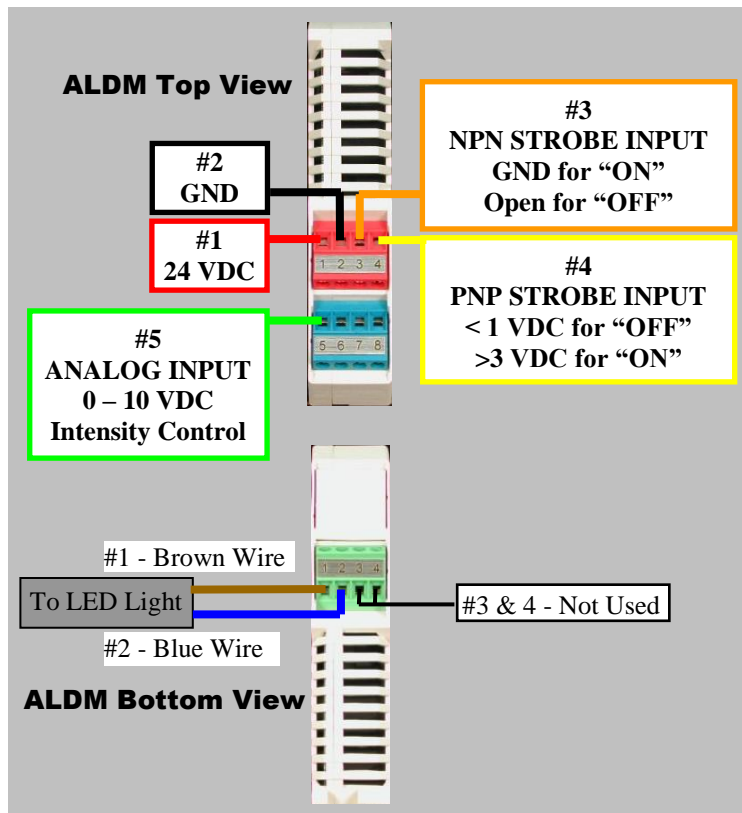
ALDM700 Series DRIVER

Replaces ALDM series driver

- 0-10VDC Analog Control for intensity ~10% to 100%
- Current Regulating
- 24VDC
- DIN Rail Mount
- PNP/NPN Strobe or Continuous Mode

ELECTRICAL:

Input Voltage: 24 VDC -0.5 / +4V
Input Current: 1 Amp
Connection: Screw terminals



ALDM700 is compatible with the following lights:

LL111.5, LL26 – All Colors
RL3.5, RL5.5, RL8.5 – All Colors
DL7.25 – All Colors
MBL22 – All Colors

NOTE:

Jumper 24VDC to PNP Strobe Input or GND to NPN Strobe input for light to remain in constant “ON” state.

Strobe is Pulse Width Duration – Light will remain “on” for duration of signal or pulse.

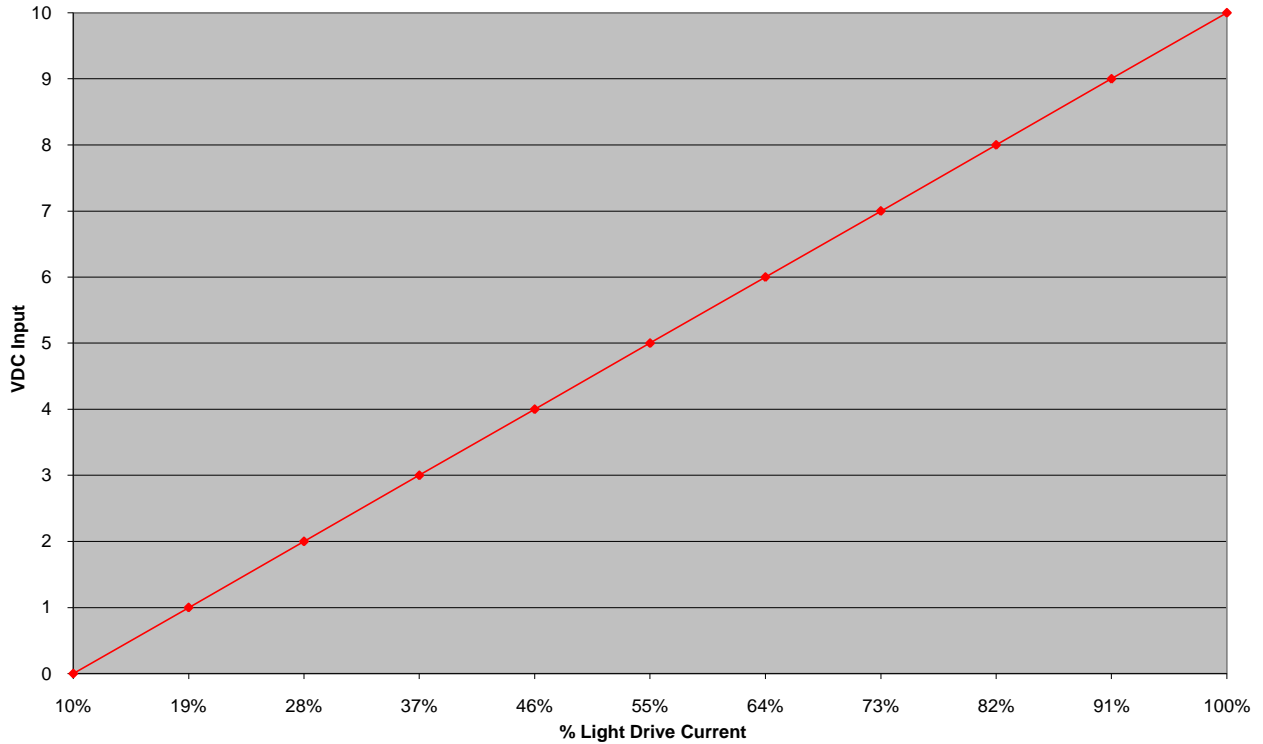
Note: 24V power supply return and GND reference for 0-10V input must be connected to pin #2 (GND) of red connector.

Note: White, Black and Green wires are not used on ALDM700 Driver

Warning!!!

**USE ONLY SPECTRUM ILLUMINATION LDM DRIVER WITH MONSTER LIGHTS.
DO NOT CONNECT MONSTER LIGHTS DIRECTLY TO 24VDC!**

Analog Voltage vs. Light Drive Current



Wiring Block Diagram

