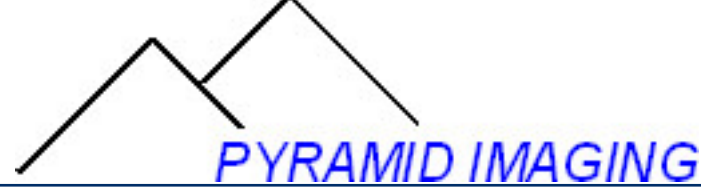




# TAG-7 Series

CameraLink & GigE Vision Line Scan Camera



Pyramid Imaging  
4951 Adamo Dr. Suite 224  
Tampa FL 33605-5919  
Phone: 813.984.0125  
Fax: 866.874.9521

[www.pyramidimaging.com](http://www.pyramidimaging.com)

Multiple resolutions from 2K up to 8K, mono and color

GigE Vision and CameraLink protocols



Linear CCD and CMOS technology

Internal FPGA for image pre-processing

Compact size  
62x62x28,9 mm

High Speed: up to 80 KHz line rate

## ▼ TAG-7

The TAG-7 is the new-generation line scan camera platform for Industrial application.

Available with resolution of 2K, 4K and 8K, both monochromatic and color as well as GigE or CameraLink interface, the TAG-7 cameras are suitable for all vision applications

## ▼ FPGA

Thanks to Tattile's technology based on FPGA, this line scan camera can execute different preprocessing algorithm in "real time"

## ▼ Compact size

Its compact form allows easily integration into any machine and production line, especially for multi-camera systems.

## ▼ GigE Vision

Thanks to GigE Vision Interface, the camera can be easily integrate into a vision system, without using a framegrabber. TAG-7 GigE runs with a frame rate up to 49KHz

## ▼ CameraLink

TAG-7 CameraLink versions support all configurations (Base, Medium, Full and 80bit), with a Line Rate up to 80 KHz. PoCL (Power over CameraLink) functionality allows a quick and easy installation.



# TAG-7 Series

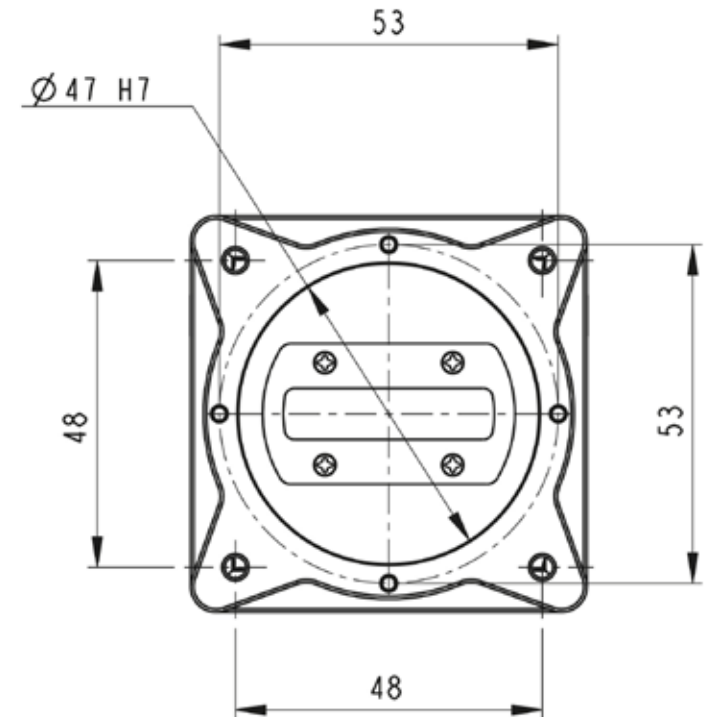
CameraLink & GigE Vision Line Scan Camera



Technical Data

Model	Monochrome				Bilinear	
Resolution	2048	2048	4096	8192	2x2048	2x4096
GigE Line Rate	//	49 KHz	24 KHz	12 KHz	24 KHz	12 KHz
CLink Line Rate	10 KHz	80 KHz			80 KHz (*)	
Type	Mono	Mono			Color	
Sensor type	CCD Perkin Elmer	CMOS Awaiba			CMOS Awaiba	
Pixel size (µm)	14 x 14	7 x 7	7 x 7	3.5 x 3.5	7 x 7	7 x 7
Pixel Bit Depth	8 bit	8 / 10 / 12 bit				
FPGA	Altera Cyclone IV 40K LEs M42, M72 [*]					
Lens	F-mount, C-mount					
Sync	External trigger / Free run					
Digital inputs	3 RS422 (only GigE version)					
Digital outputs	2 RS422 (only GigE version)					
Power supply	+12/24 VDC PoCL (only CameraLink version)					
Dimensions	62x62x69	62x62x28.9				
Conformity	CE, RoHS					

Pyramid Imaging  
 4951 Adamo Dr. Suite 224  
 Tampa FL 33605-5919  
 Phone: 813.984.0125  
 Fax: 866.874.9521  
[www.pyramidimaging.com](http://www.pyramidimaging.com)



TAG-7 Series - Camera Link - Part Number	
F01596	2048@10000 Mono
F01626	2048@80000 Mono
F01632	4096@80000 Mono
F01648	8192@80000 Mono
F01628	2x2048@80000 Color [*]
F01634	2x4096@80000 Color [*]

TAG-7 Series - GigE Vision - Part Number	
F01625	2048@49000 Mono
F01631	4096@24000 Mono
F01647	8192@12000 Mono
F01627	2x2048@24000 Color
F01643	2x4096@12000 Color

[\*] Available on demand