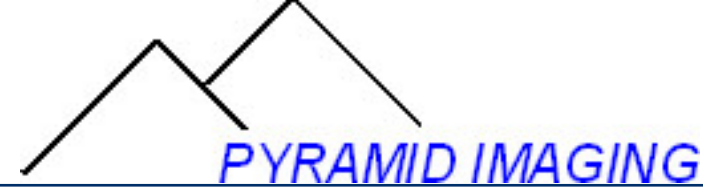




TAG-5 Series



GigE High Performance Camera

Pyramid Imaging
4951 Adamo Dr. Suite 224
Tampa FL 33605-5919
Phone: 813.984.0125
Fax: 866.874.9521

www.pyramidimaging.com

High frame rate up to 300 fps with VGA sensor

Area Scan Global Shutter CMOS technology

Resolution from VGA to 4 Megapixel

GigE Vision and GenICam compliant



Easy cabling with Power over Ethernet (PoE)

Multiple Strobe Output for lighting control

Partial Scan to reach high frame rate

Compact size of 34x34x54 mm

▼ TAG-5

The TAG-5 is the new-generation camera platform for Industrial application. It is available in 3 resolution: from VGA with a frame rate of 300 fps up to 4 Megapixels with a frame rate of 22 fps; all resolution are available with mono and color sensors.

▼ CMOS Sensor

Based on advanced global shutter CMOS technology and GigE Vision protocol, the TAG-5 will fulfill your application requirement. The frame rate of the camera can be even increased thanks to the windowing features; in fact, the TAG-5 can capture only a portion of the image sensor allowing higher frames rate for smallest region of interest.



▼ GigE Vision PoE

Thanks to the GigE Vision standard protocol, it does not require the use of any frame grabber, and the camera can be easily interfaced to embedded and PC-based vision system. The TAG-5 supports IEEE 1588 precise time protocol, enabling accurate synchronization with multi-camera acquisition. In addition to the standard 24 VDC power supply, the camera can be powered by PoE (Power over Ethernet) for easy cabling.

▼ I/O

The camera offers a RS232 serial port, 4 strobe channels for illuminator strobing and control, one input and one output opto-isolated.



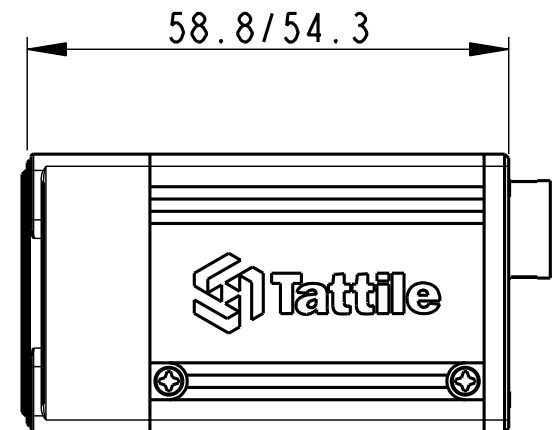
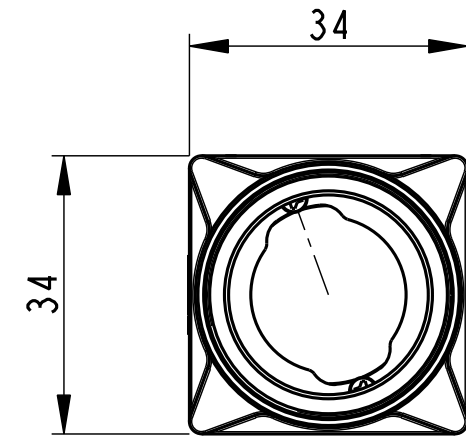
TAG-5 Series

GigE High Performance Camera

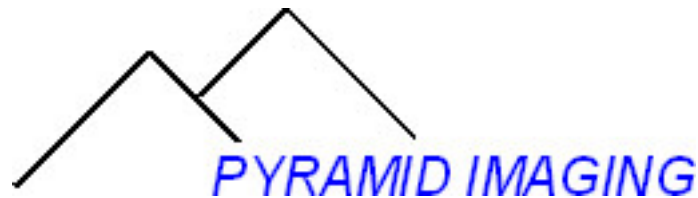


Technical Data

Resolution	640x480	640x480	2048x1024	2048x2048
Frame rate	300 fps	298 fps	44 fps	22 fps
Sensor type	1/4" CMOS	1/3" CMOS	2/3" CMOS	1" CMOS
Sensor model	PYTHON300	CMV300	CMV2000	CMV4000
Pixel size	4.8 x 4.8 μ m	7.4 x 7.4 μ m	5.5 x 5.5 μ m	5.5 x 5.5 μ m
Lens	C-mount			
Type	Mono / Color			
Shutter	Global shutter			
Interface	GigE Vision			
Sync	External trigger / Ethernet / Free run			
Digital inputs	1 PNP protected			
Digital outputs	1 open collector protected			
Strobe	4 channels			
Serial port	RS232			
Power supply	+24 VDC / PoE			
PoE	IEEE 802.3 af			
Dimensions	34x34x54 mm	34x34x54 mm	34x34x59 mm	34x34x59 mm
Weight	115 g			
Internal protection	IP 42			



TAG-5 Series - Part Number	
F01552	640x480 298 fps mono
F01553	640x480 298 fps color
F01603	2048x1088 44 fps mono
F01604	2048x1088 44 fps color
F01554	2048x2048 22 fps mono
F01555	2048x2048 22 fps color
F01699	640x480 300 fps color



Pyramid Imaging
 4951 Adamo Dr. Suite 224
 Tampa FL 33605-5919
 Phone: 813.984.0125
 Fax: 866.874.9521

www.pyramidimaging.com