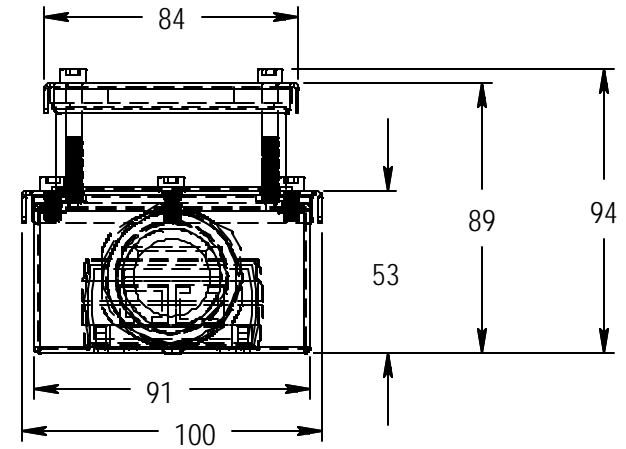
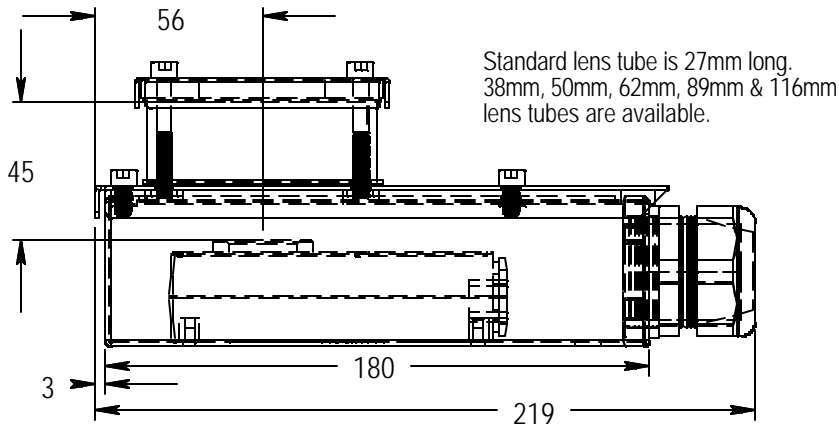
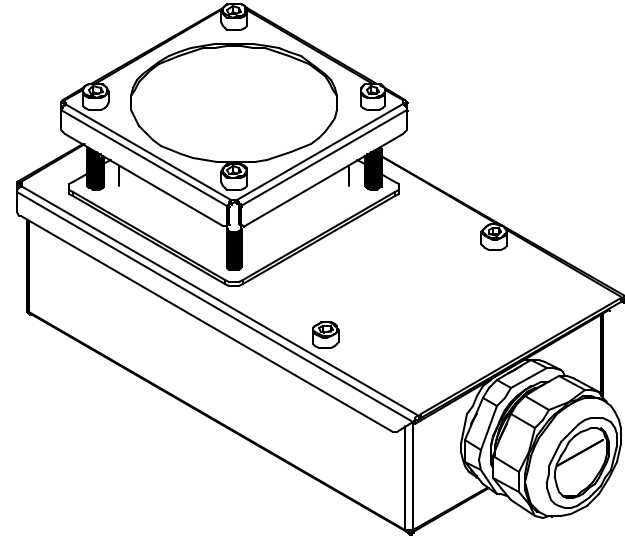


Mounting Hole spacing



45mm lens length available in standard enclosure.
Extender kits available to allow longer lenses.

Tols: .000 = +/-0.005" .00 = +/-0.010"
except where noted

No	Change	Date	Init	Name	Date	Title	Drawing Number	Issue
				Created By	ccm	2003/09/15	L1 Metric Series Enclosure	
				Checked By				
				Scale				
				Allison Park Group, Inc. 4091 Route 8, Suite 300 Allison Park, PA 15101 USA Phone +1 (412) 487-8211 Fax +1 (412) 488-3157 www.apgvision.com			L1 Metric Dims	1.0