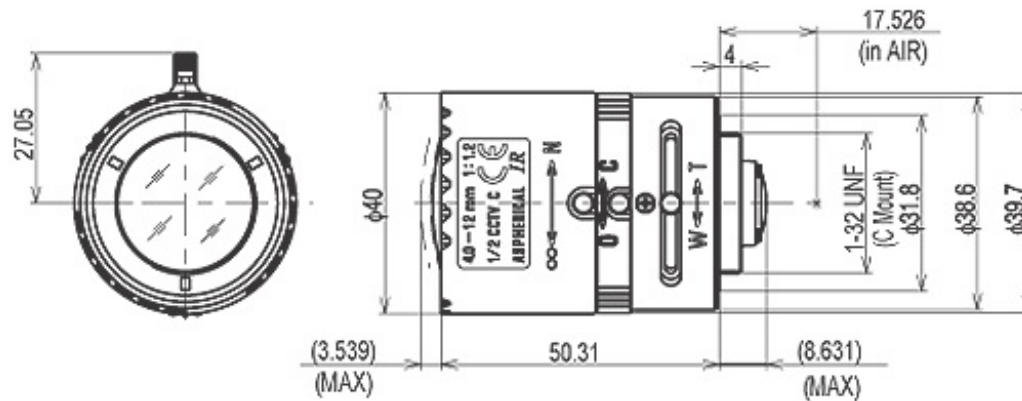


12VM412ASIR



SPECIFICATIONS

			12VM412ASIR
Imager Size			1/2
Mount Type			C
Focal Length			4.0 - 12mm
Aperture Range			1.2 - Close
	1/2	Wide	93.7° x 68.9°
		Tel	24.0° x 22.4°

Angle of View (Horizontal x Vertical)		Wide	31.2° x 23.4°
	1/3	Wide	68.9° x 51.1°
		Tele	23.4° x 17.5°
Focusing Range			0.3m - ∞
Operation	Focus		Manual with Lock
	Zoom		Manual with Lock
	Iris		Manual with Lock
Filter Size			-
Back Focus(in air)			Wide 10.157 - Tele 19.911mm
Operating Voltage			-
Weight			58g
Operating Temperature			-20°C - +60°C

Download

You can download the specifications.

[▶ Download Specifications](#)

T e r m s o f U s e

▲ B a c k

© Copyright 2002-2011 TAMRON Co.,Ltd.