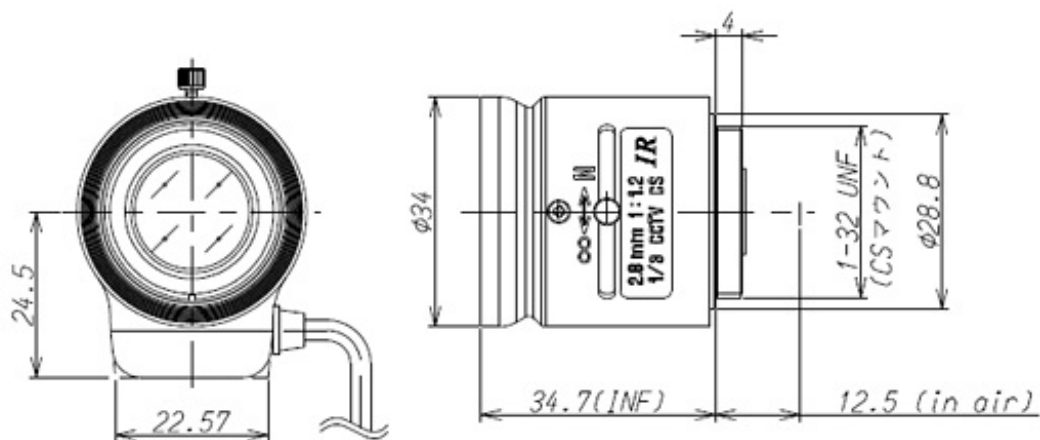


13FG28IR



SPECIFICATIONS

		13FG28IR
Imager Size		1/3
Mount Type		CS
Focal Length		2.8mm
Aperture Range		1.2 - 360
Angle of View (Horizontal x Vertical)	1/3	93.2° x 70.7°
	1/4	70.7° x 53.4°

Focusing Range		0.2m - ∞
Operation	Focus	Manual with Lock
	Iris	Auto Iris (DC)
Filter Size		-
Back Focus(in air)		8.58mm
Operating Voltage		Open 2.5V Close 0.5V
Weight		44g
Operating Temperature		-20°C - +60°C

Download

You can download the specifications.

[▶ Download Specifications](#)

[T e r m s o f U s e](#)

[▲ B a c k](#)

© Copyright 2002-2011 TAMRON Co.,Ltd.