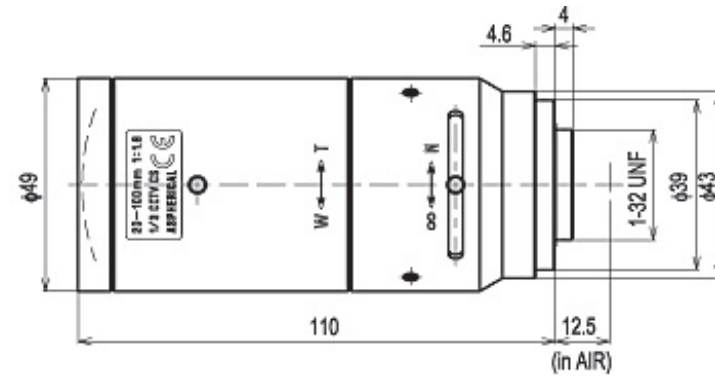
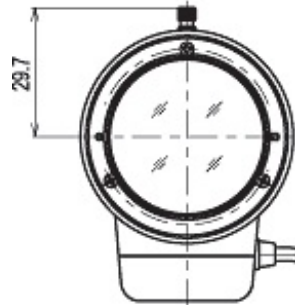


13VG20100AS



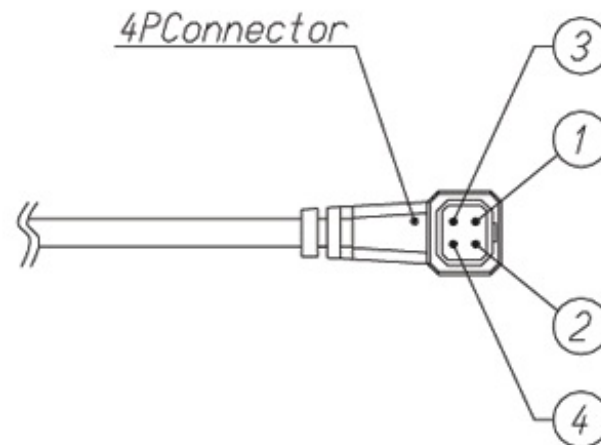
SPECIFICATIONS

			13VG20100AS
Imager Size			1/3
Mount Type			CS
Focal Length			20 - 100mm
Aperture Range			1.6 - 360
Angle of View (Horizontal x Vertical)	1/3	Wide	13.6° x 10.2°
		Tele	2.8° x 2.1°

(HORIZONTAL X VERTICAL)	1/4	Wide	10.2° x 7.6°
		Tele	2.1° x 1.6°
Focusing Range		1.0m - ∞	
Operation	Focus	Manual with Lock	
	Zoom	Manual with Lock	
	Iris	DC Auto Iris	
Filter Size		-	
Back Focus(in air)		Wide 22.292 - Tele 18.298mm	
Operating Voltage		Open 4.0V Close 0.5V	
Weight		156g	
Operating Temperature		-20°C - +60°C	

Wiring Diagram

Pin	
1	Cont(-)
2	Cont(+)
3	Drive(+)
4	Drive(-)



Download

You can download the specifications.

[▶ Download Specifications](#)

[T e r m s o f U s e](#)

[▲ B a c k](#)

© Copyright 2002-2011 TAMRON Co.,Ltd.