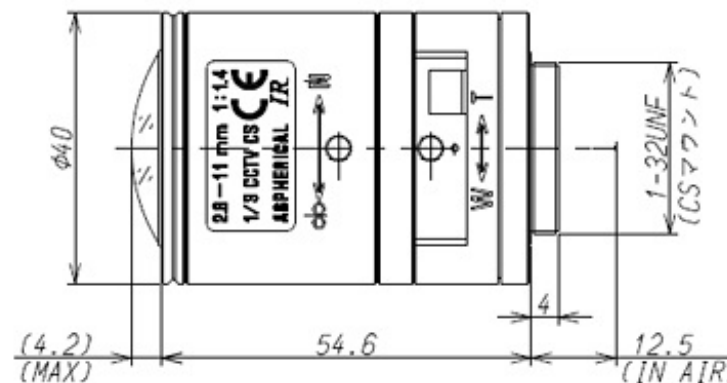
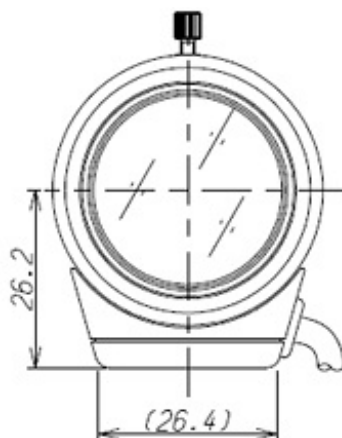


13VG2811ASIR



SPECIFICATIONS

		13VG2811ASIR	
Imager Size		1/3	
Mount Type		CS	
Focal Length		2.8 - 11mm	
Aperture Range		1.4 - 360	
	1/3	Wide	97.4° x 72.4°
		Telo	26.2° x 19.7°

Angle of View (Horizontal x Vertical)		Wide	20.2° x 19.1°
	1/4	Wide	72.4° x 54.0°
		Tele	19.7° x 14.7°
Focusing Range			0.3m - ∞
Operation	Focus		Manual with Lock
	Zoom		Manual with Lock
	Iris		DC Auto Iris
Filter Size			-
Back Focus(in air)			Wide 8.66 - Tele 18.69mm
Operating Voltage			Open 4.0V Close 0.5V
Weight			79g
Operating Temperature			-20°C - +60°C
Wiring Diagram			

Download

You can download the specifications.

[▶ Download Specifications](#)