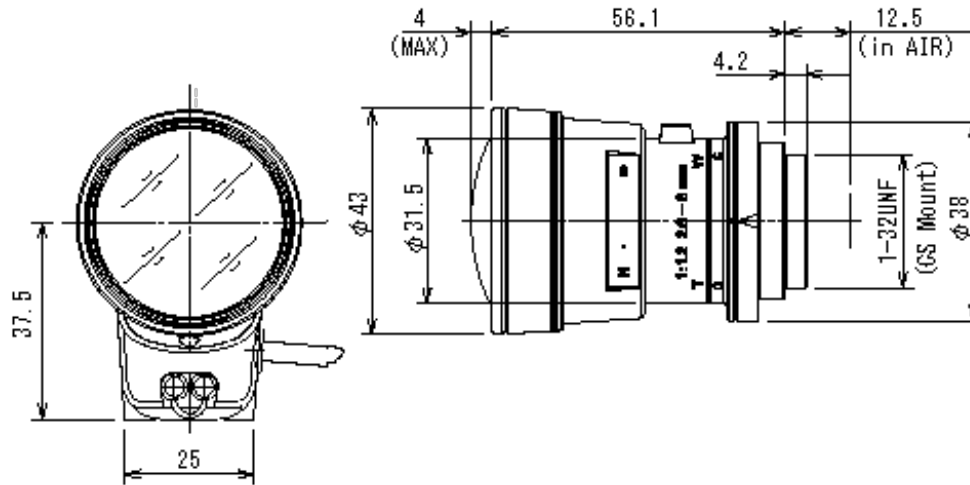
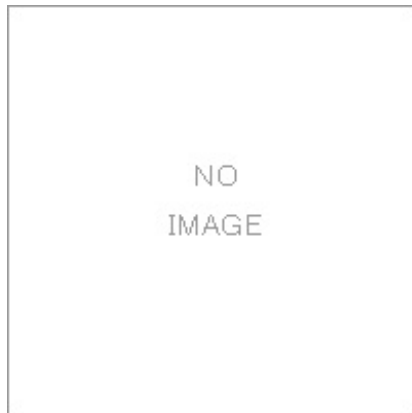


13VG286T



SPECIFICATIONS

| | | 13VG286T | |
|----------------|-----|-----------|---------------|
| Imager Size | | 1/3 | |
| Mount Type | | CS | |
| Focal Length | | 2.8 - 6mm | |
| Aperture Range | | 1.2 - 64 | |
| | 1/3 | Wide | 88.7° x 69.2° |

| | | | |
|--|-------|-------------------------|---------------|
| Angle of View (Horizontal x Vertical) | 1/4 | Tele | 44.2° x 34.0° |
| | | Wide | 69.1° x 52.8° |
| | | Tele | 34.0° x 25.9° |
| Focusing Range | | 0.3m - ∞ | |
| Operation | Focus | Manual | |
| | Zoom | Manual | |
| | Iris | DC Auto Iris | |
| Filter Size | | - | |
| Back Focus(in air) | | 8.54mm | |
| Operating Voltage | | Open 4.0V Close 0.5V | |
| Weight | | 100g | |
| Operating Temperature | | -10°C - +70°C | |

Wiring Diagram

