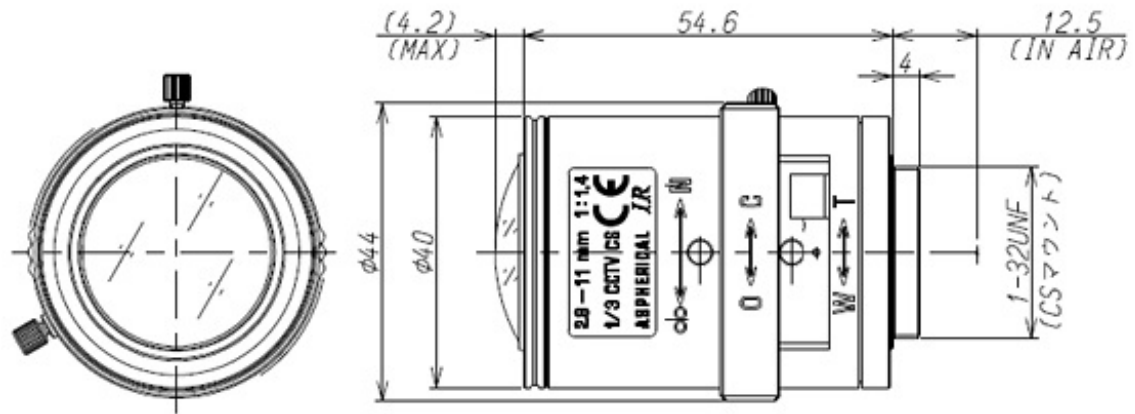


13VM2811ASIR



SPECIFICATIONS

		13VM2811ASIR	
Imager Size		1/3	
Mount Type		CS	
Focal Length		2.8 - 11mm	
Aperture Range		1.4 - Close	
	1/3	Wide	97.4° x 72.4°
		Telo	26.2° x 19.7°

Angle of View (Horizontal x Vertical)		Tele	20.2° x 19.7°
	1/4	Wide	72.4° x 54.0°
		Tele	19.7° x 14.7°
Focusing Range			0.3m - ∞
Operation		Focus	Manual with Lock
		Zoom	Manual with Lock
		Iris	Manual with Lock
Filter Size			-
Back Focus(in air)			Wide 8.66 - Tele 18.69mm
Operating Voltage			-
Weight			72g
Operating Temperature			-20°C - +60°C

Download

You can download the specifications.

[▶ Download Specifications](#)

T e r m s o f U s e

▲ B a c k

© Copyright 2002-2011 TAMRON Co.,Ltd.