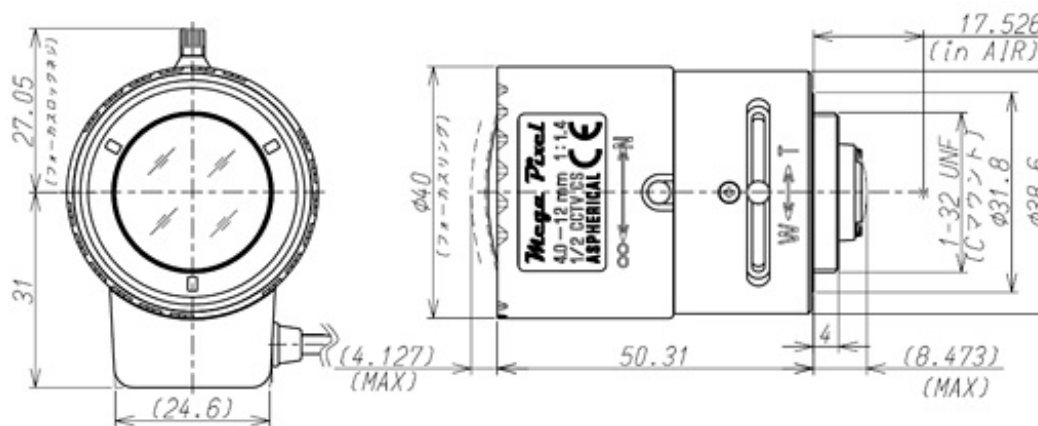


M12VG412



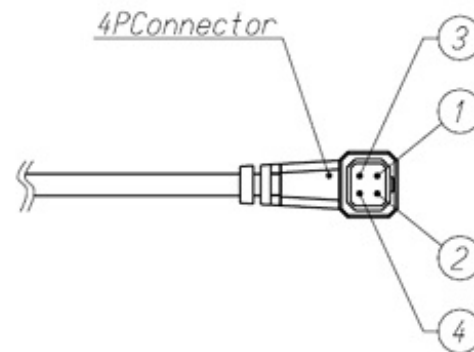
SPECIFICATIONS

			M12VG412
Imager Size			1/2
Mount Type			C
Focal Length			4.0 - 12mm
Aperture Range			1.4 - 360
1/2	Imager Size 6.8mm x 5.1mm	Wide	100.5° x 73.4°
		Tele	33.4° x 25.1°

Angle of View (Horizontal x Vertical)	Imager Size 6.4mm x 4.8mm	Wide	93.9° x 68.8°
		Tele	31.4° x 23.6°
	1/3	Wide	68.8° x 51.0°
		Tele	23.6° x 17.7°
Focusing Range			0.3m - ∞
Operation	Focus		Manual with Lock
	Zoom		Manual with Lock
	Iris		Auto Iris(DC)
Filter Size			-
Back Focus(in air)			Wide 9.05 - 18.90mm
Operating Voltage			Open 3.0V Close 5V
Weight			69g±6g
Operating Temperature			-20°C - +60°C

Wiring Disgram

Pin	
1	Cont(-)
2	Cont(+)
3	Drive(+)
4	Drive(-)



Download

You can download the specifications.

[▶ Download Catalog](#)

[▶ Download Specifications](#)

[T e r m s o f U s e](#)

[▲ B a c k](#)

© Copyright 2002-2011 TAMRON Co.,Ltd.