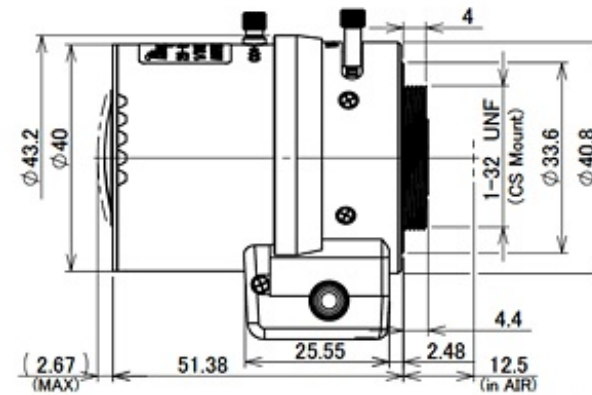
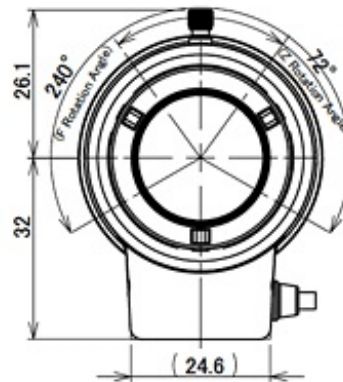
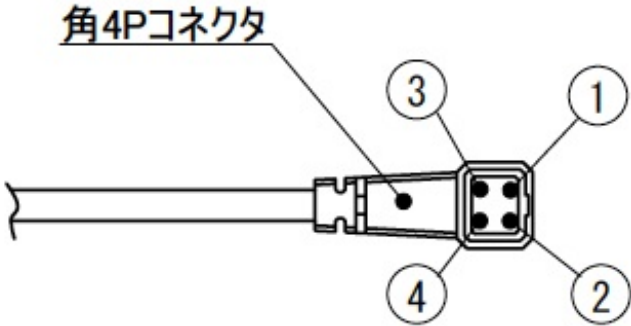


M13VG288IR



SPECIFICATIONS

			M13VG288IR
Imager Size			1/3
Mount Type			CS
Focal Length			2.8 - 8mm
Aperture Range			1.2 - Close
Angle of View (Horizontal x Vertical)	1/3	Wide	100.1° x 72.9°
		Tele	35.8° x 26.8°
		Wide	72.9° x 53.9°

	1/4	Tele	26.8° x 20.1°										
Focusing Range			0.3m - ∞										
Operation		Focus	Manual with Lock										
		Zoom	Manual with Lock										
		Iris	DC Auto Iris										
Filter Size			-										
Back Focus(in air)			Wide 8.339 - Tele 14.944mm										
Wave Length			Visible Light - Near Infrared										
Operating Voltage			Open 4.0V Close 0.7V										
Weight			70g										
Operating Temperature			-20°C - +60°C										
Wiring Disgram													
<table border="1" data-bbox="609 914 965 1189"> <thead> <tr> <th>PIN</th> <th>Coil Function 巻線</th> </tr> </thead> <tbody> <tr> <td>1</td> <td>C- 制動-</td> </tr> <tr> <td>2</td> <td>C+ 制動+</td> </tr> <tr> <td>3</td> <td>D+ 駆動+</td> </tr> <tr> <td>4</td> <td>D- 駆動-</td> </tr> </tbody> </table> 				PIN	Coil Function 巻線	1	C- 制動-	2	C+ 制動+	3	D+ 駆動+	4	D- 駆動-
PIN	Coil Function 巻線												
1	C- 制動-												
2	C+ 制動+												
3	D+ 駆動+												
4	D- 駆動-												

Download

You can download the specifications.

[▶ Download Catalog](#)

[▶ Download Specifications](#)

