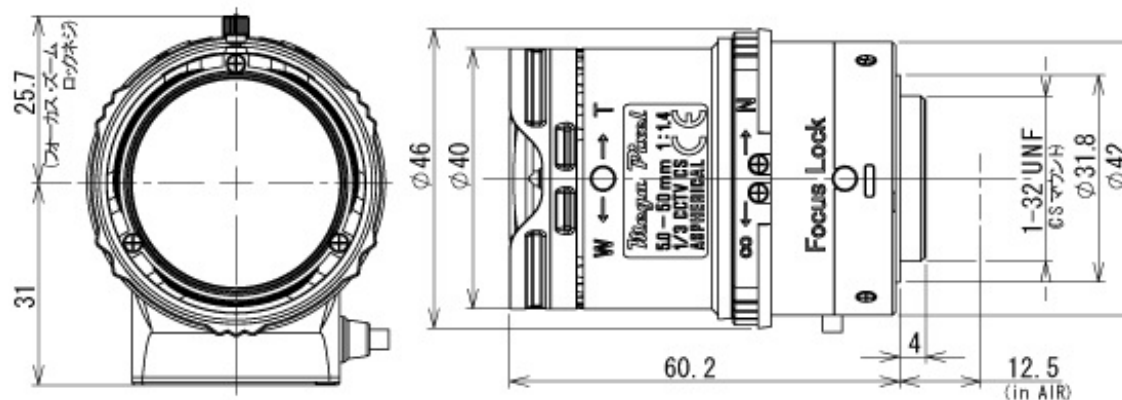


M13VG550



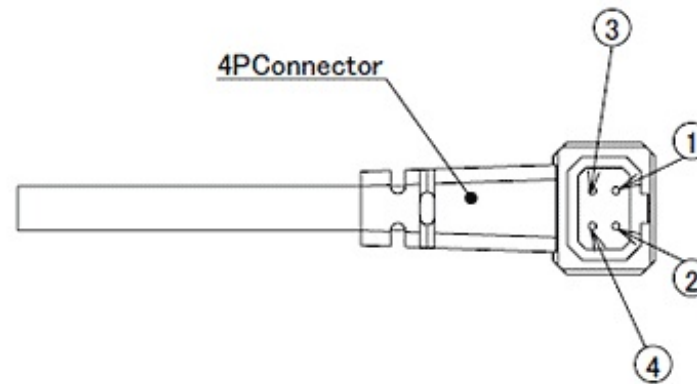
SPECIFICATIONS

			M13VG550
Imager Size			1/3
Mount Type			CS
Focal Length			5 - 50mm
Aperture Range			1.4 - 360
Angle of View (Horizontal x Vertical)	1/3	Wide	53.8° x 40.3°
		Tele	5.5° x 4.2°
		Wide	40.3° x 30.2°

	1/4	Tele	4.2° x 3.1°
Focusing Range			1m - ∞
Operation		Focus	Manual with Lock
		Zoom	Manual with Lock
		Iris	Auto Iris(DC)
Filter Size			-
Back Focus(in air)			Wide 10.28 - 10.98mm
Operating Voltage			Open 4.0V Close 0.7V
Weight			77g
Operating Temperature			-20°C - +60°C

Wiring Diagram

PIN	Wire Color 線材	Coil Function 巻線
1	Orange 橙	C- 制動-
2	Yellow 黄	C+ 制動+
3	Red 赤	D+ 駆動+
4	Black 黒	D- 駆動-



Download

You can download the specifications.

[▶ Download Catalog](#)

[▶ Download Specifications](#)

