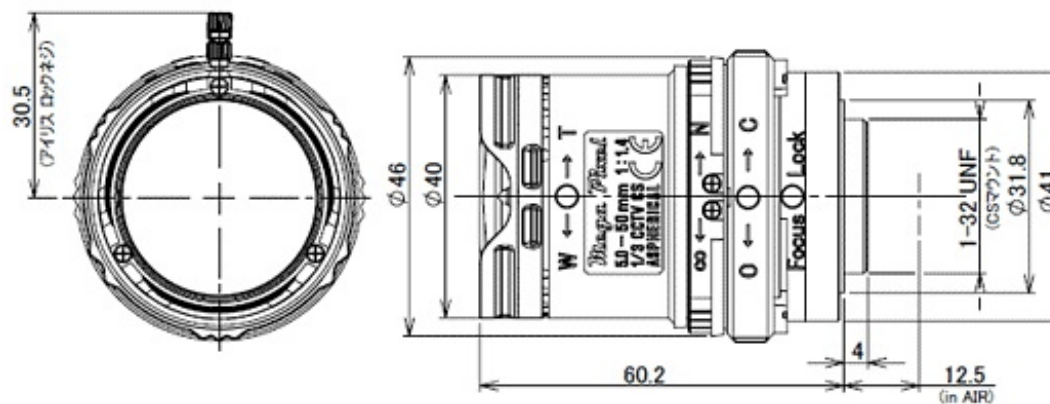


M13VM550



SPECIFICATIONS

			M13VM550
Imager Size			1/3
Mount Type			CS
Focal Length			5 - 50mm
Aperture Range			1.4 - Close
Angle of View (Horizontal x Vertical)	1/3	Wide	53.8° x 40.3°
		Tele	5.5° x 4.2°
		Wide	40.3° x 30.2°

	1/4	Tele	4.2° x 3.1°
Focusing Range			1m - ∞
Operation		Focus	Manual with Lock
		Zoom	Manual with Lock
		Iris	Manual with Lock
Filter Size			-
Back Focus(in air)			Wide 10.28 - Tele 10.98mm
Operating Voltage			-
Weight			64g
Operating Temperature			-20°C - +60°C

Download

You can download the specifications.

[▶ Download Catalog](#)

[▶ Download Specifications](#)

[T](#) [e](#) [r](#) [m](#) [s](#) [o](#) [f](#) [U](#) [s](#) [e](#)

[▲](#) [B](#) [a](#) [c](#) [k](#)

© Copyright 2002-2011 TAMRON Co.,Ltd.