



**For FA/Machine Vision
Fixed Focal**

CF25HA-1

Applicable camera (model)

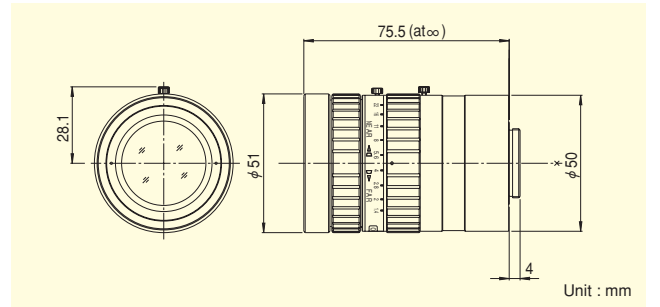
1	2/3	1/2	1/3	1/4
---	-----	-----	-----	-----

NEW

- FIXED**
Fixed Focal
- 1.5 Mega**
For Megapixel Camera
- MANUAL**
Manual Iris
- C-mt**
C Mount
- METAL**
Metal Mount
- F1.4**
Wide Aperture Rate



- High-resolution design, providing support for up to 1.5 megapixel camera resolution.
- Wide-aperture (F1.4) design achieves clear images under low light intensity.
- Low-distortion design achieving accurate image input.
- Robust enclosure resistant to vibrations and shocks. Equipped with locking knobs for the iris and the focus.



Focal Length (mm)		25
Iris Range		F1.4 ~ F22
Operation	Focus	Manual
	Iris	Manual
Angle Of View (H×V)	1"	28°43' × 21°44'
	2/3"	19°58' × 15°02'
	1/2"	14°35' × 10°58'
Focusing Range (From Front Of The Lens) (m)		∞ ~ 0.1
Object Dimensions at M.O.D. (H×V) (mm)	1"	65 × 48
	2/3"	44 × 33
	1/2"	32 × 24
Back Focal Distance (in air) (mm)		22.32
Exit Pupil Position (From Image Plane) (mm)		-140
Filter Thread (mm)		M49 × 0.75
Mount		C
Mass (g)		310

Remarks
 • With Metal Mount
 • With Locking Knob for Iris and Focus

Pyramid Imaging
 945 East 11th Avenue Tampa, FL 33605
 sales@pyramidimaging.com
 www.pyramidimaging.com
 813-786-3785

FIXED FOCAL LENGTH LENSES



**For FA/Machine Vision
Fixed Focal**

CF35HA-1

Applicable camera (model)

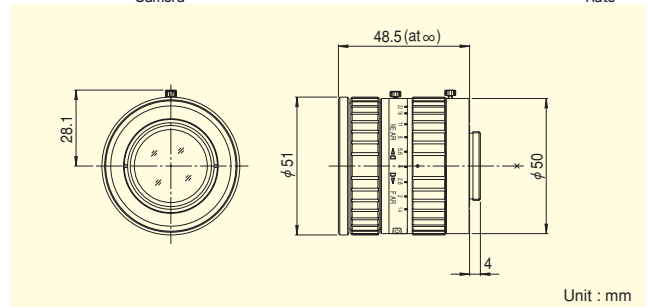
1	2/3	1/2	1/3	1/4
---	-----	-----	-----	-----

NEW

- FIXED**
Fixed Focal
- 1.5 Mega**
For Megapixel Camera
- MANUAL**
Manual Iris
- C-mt**
C Mount
- METAL**
Metal Mount
- F1.4**
Wide Aperture Rate



- High-resolution design, providing support for up to 1.5 megapixel camera resolution.
- Wide-aperture (F1.4) design achieves clear images under low light intensity.
- Low-distortion design achieving accurate image input.
- Robust enclosure resistant to vibrations and shocks. Equipped with locking knobs for the iris and the focus.



Focal Length (mm)		35
Iris Range		F1.4 ~ F22
Operation	Focus	Manual
	Iris	Manual
Angle Of View (H×V)	1"	20°43' × 15°37'
	2/3"	14°20' × 10°46'
	1/2"	10°27' × 7°51'
Focusing Range (From Front Of The Lens) (m)		∞ ~ 0.2
Object Dimensions at M.O.D. (H×V) (mm)	1"	73 × 55
	2/3"	50 × 38
	1/2"	37 × 27
Back Focal Distance (in air) (mm)		14.99
Exit Pupil Position (From Image Plane) (mm)		-37
Filter Thread (mm)		M49 × 0.75
Mount		C
Mass (g)		180

Remarks
 • With Metal Mount
 • With Locking Knob for Iris and Focus