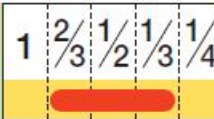




**For FA/Machine Vision
Fixed Focal**

HF16SA-1



FIXED

Fixed Focal

**5
Mega**

For Megapixel
Camera

MANUAL

Manual Iris

C-mt

C Mount

METAL

Metal Mount

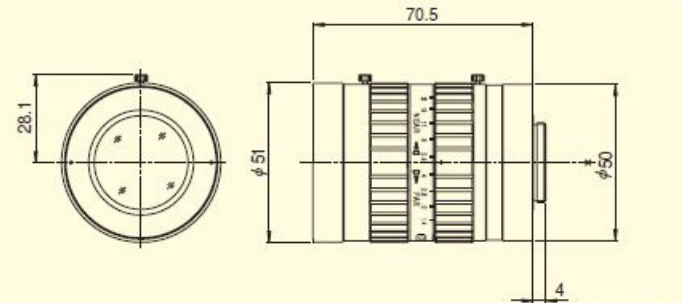
F1.4

Wide Aperture
Rate

NEW



- High-resolution design, providing support for up to 5 megapixel camera resolution.
- Rear focusing system provides improved performance in macro photography.
- Wide-aperture (F1.4) design achieves clear images under low light intensity.
- Enhanced image recognition accuracy achieved by reduction of distortion and improvement of illumination uniformity.
- Robust enclosure resistant to vibrations and shocks. Equipped with locking knobs for the iris and the focus.



Unit : mm

Focal Length (mm)		16
Iris Range		F1.4 ~ F22
Operation	Focus	Manual
	Iris	Manual
Angle Of View (H×V)	2/3"	30°45' × 23°18'
	1/2"	22°37' × 17°04'
	1/3"	17°04' × 12°50'
Focusing Range (From Front Of The Lens) (m)		∞ ~ 0.1
Object Dimensions at M.O.D. (H×V) (mm)	2/3"	69 × 51
	1/2"	50 × 37
	1/3"	37 × 28
Back Focal Distance (in air) (mm)		17.99
Exit Pupil Position (From Image Plane) (mm)		-172
Filter Thread (mm)		M49 × 0.75
Mount		C
Mass (g)		285

Remarks

- With Metal Mount
- With Locking Knob for Iris and Focus



Pyramid Imaging

945 East 11th Avenue Tampa, FL 33605

sales@pyramidimaging.com

www.pyramidimaging.com

813-786-3785