



**For FA/Machine Vision  
Fixed Focal**

# HF25SA-1

Applicable camera (model)

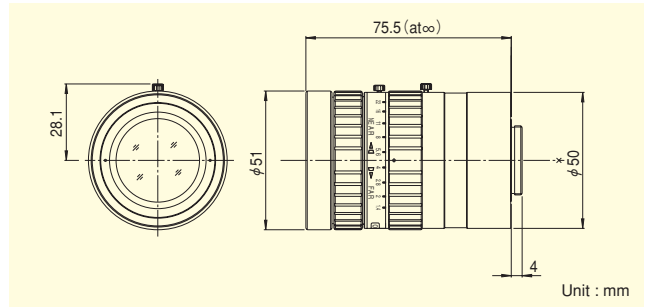
1	2/3	1/2	1/3	1/4
---	-----	-----	-----	-----

- FIXED  
Fixed Focal
- 5 Mega  
For Megapixel Camera
- MANUAL  
Manual Iris
- C-mt  
C Mount
- METAL  
Metal Mount
- F1.4  
Wide Aperture Rate

**NEW**



- High-resolution design, providing support for up to 5 megapixel camera resolution.
- Wide-aperture (F1.4) design achieves clear images under low light intensity.
- Enhanced image recognition accuracy achieved by reduction of distortion and improvement of illumination uniformity.
- Robust enclosure resistant to vibrations and shocks. Equipped with locking knobs for the iris and the focus.



Focal Length (mm)		25
Iris Range		F1.4 ~ F22
Operation	Focus	Manual
	Iris	Manual
Angle Of View (H×V)	2/3"	19°58' × 15°02'
	1/2"	14°35' × 10°58'
	1/3"	10°58' × 8°14'
Focusing Range (From Front Of The Lens) (m)		∞ ~ 0.1
Object Dimensions at M.O.D. (H×V) (mm)	2/3"	44 × 33
	1/2"	32 × 24
	1/3"	24 × 18
Back Focal Distance (in air) (mm)		22.32
Exit Pupil Position (From Image Plane) (mm)		-140
Filter Thread (mm)		M49 × 0.75
Mount		C
Mass (g)		315

Remarks

- With Metal Mount
- With Locking Knob for Iris and Focus



**For FA/Machine Vision  
Fixed Focal**

# HF35SA-1

Applicable camera (model)

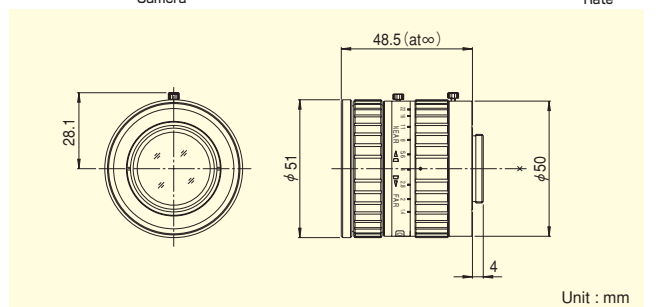
1	2/3	1/2	1/3	1/4
---	-----	-----	-----	-----

- FIXED  
Fixed Focal
- 5 Mega  
For Megapixel Camera
- MANUAL  
Manual Iris
- C-mt  
C Mount
- METAL  
Metal Mount
- F1.4  
Wide Aperture Rate

**NEW**



- High-resolution design, providing support for up to 5 megapixel camera resolution.
- Wide-aperture (F1.4) design achieves clear images under low light intensity.
- Enhanced image recognition accuracy achieved by reduction of distortion and improvement of illumination uniformity.
- Robust enclosure resistant to vibrations and shocks. Equipped with locking knobs for the iris and the focus.



Focal Length (mm)		35
Iris Range		F1.4 ~ F22
Operation	Focus	Manual
	Iris	Manual
Angle Of View (H×V)	2/3"	14°20' × 10°46'
	1/2"	10°27' × 7°51'
	1/3"	7°51' × 5°53'
Focusing Range (From Front Of The Lens) (m)		∞ ~ 0.2
Object Dimensions at M.O.D. (H×V) (mm)	2/3"	50 × 38
	1/2"	37 × 27
	1/3"	27 × 21
Back Focal Distance (in air) (mm)		14.99
Exit Pupil Position (From Image Plane) (mm)		-37
Filter Thread (mm)		M49 × 0.75
Mount		C
Mass (g)		185

Remarks

- With Metal Mount
- With Locking Knob for Iris and Focus



**Pyramid Imaging**

945 East 11th Avenue Tampa, FL 33605  
sales@pyramidimaging.com  
www.pyramidimaging.com  
813-786-3785