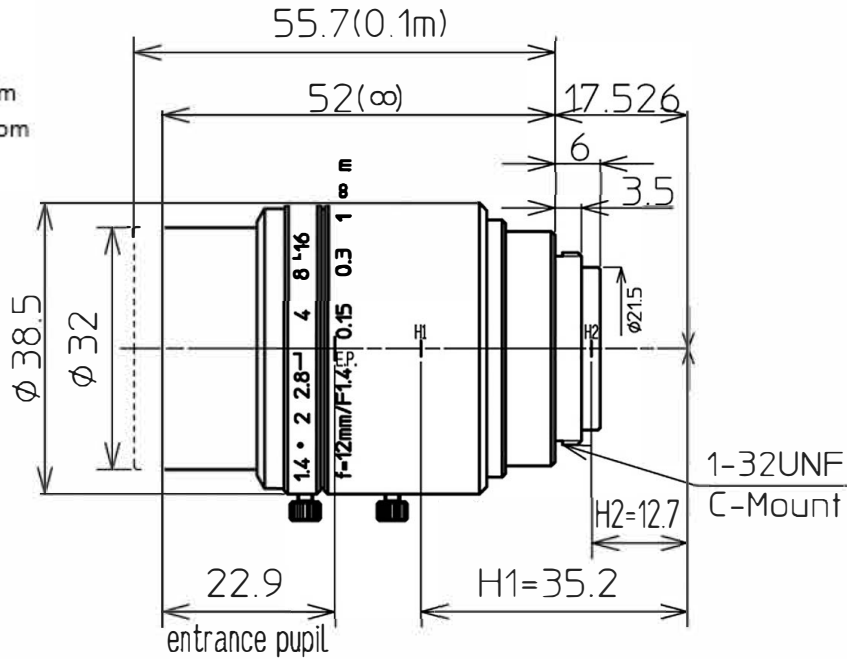


Pyramid Imaging, Inc.
 945 East 11th Avenue
 Tampa, FL 33605
 www.pyramidimaging.com
 sales@pyramidimaging.com
 +1 813 984 0125



Ø11 2/3inch F1.4/12mm C				
FOCAL LENGTH		f=12.5mm		
MAX. DIAMETER (RATIO)		F=1 : 1.4~16		
ELEMENT		9 GROUPS 11 ELEMENTS		
PICTURE SIZE		6.6x8.8mm	4.8x6.4mm	3.6x4.8mm
ANGLE	VER. ANGLE	29.2°	21.4°	16.1°
	HOR. ANGLE	38.4°	28.4°	21.4°
	DIA. ANGLE	47.0°	35.1°	26.6°
DISTORTION (TV)		-0.06%	-0.12%	-0.09%
SHOOTING RANGE AT MINIMUM FOCUS DISTANCE	VER.	60.9mm	44.1mm	33.0mm
	HOR.	81.4mm	58.9mm	44.1mm
	DIA.	101.9mm	73.8mm	55.2mm
MINIMUM FOCUS DISTANCE		0.1m		
FLANGE BACK		17.526mm in air		
BACK FOCUS		11.5mm in air		
FILTER SCREW SIZE		M30.5x0.5		
FRONT/REAR EFFECTIVE DIA.		FRONT Ø24.5mm		REAR Ø16.6mm
MOUNT		C-MOUNT		
EXIT PUPIL		-118.6mm		
TEMPERATURE RANGE		-10~+50° C		
STORAGE TEMPERATURE RANGE		-20~+60° C		
RESOLUTION CENTER/CORNER		Center 160lp/mm Corner 125lp/mm		
WEIGHT		160 g		

NOTE: Specifications and availability are subject to change without notice
 注) 本仕様については、予告なしに変更する場合があります。



Pyramid Imaging

		尺度	1/1	承認	八木	製図	大口
		機種名	2/3(Ø11) F1.4 f=12mm				
		機種番	LM12JC5M2				
2011.09.16	作成年月日						