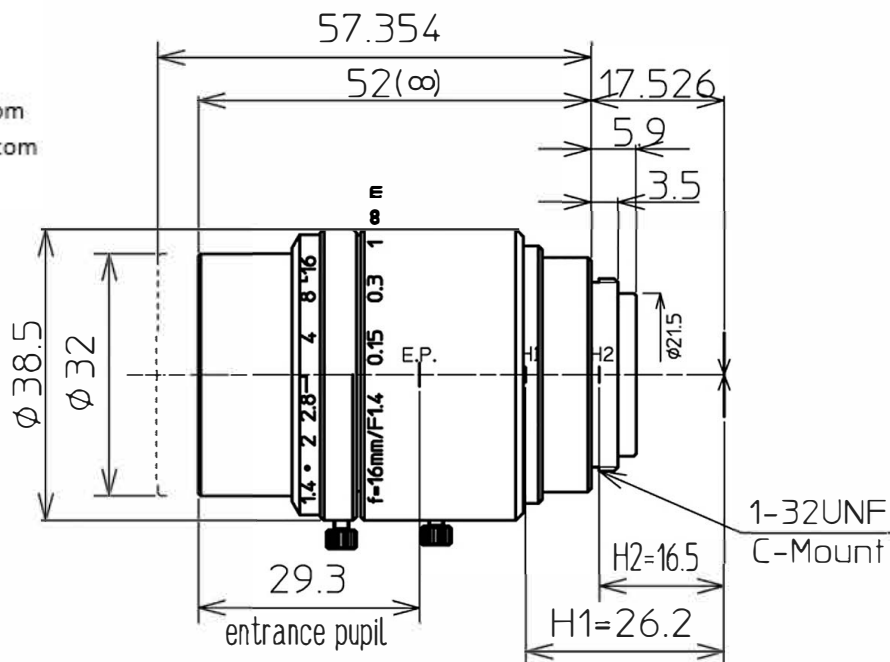


Pyramid Imaging, Inc.  
 945 East 11<sup>th</sup> Avenue  
 Tampa, FL 33605  
 www.pyramidimaging.com  
 sales@pyramidimaging.com  
 +1 813 984 0125



Ø11 2/3inch F1.4/16mm C			
FOCAL LENGTH		f=16mm	
MAX. DIAMETER (RATIO)		F=1:1.4~16	
ELEMENT		9 GROUPS 10 ELEMENTS	
PICTURE SIZE		6.6x8.8mm	4.8x6.4mm 3.6x4.8mm
ANGLE	VER. ANGLE	22.7°	16.6° 12.5°
	HOR. ANGLE	29.9°	22.0° 16.6°
	DIA. ANGLE	36.9°	27.3° 20.6°
DISTORTION (TV)		0.03%	-0.07% -0.06%
SHOOTING RANGE AT MINIMUM FOCUS DISTANCE	VER.	48.4mm	35.1mm 26.3mm
	HOR.	64.6mm	46.8mm 35.2mm
	DIA.	80.8mm	58.6mm 44.0mm
MINIMUM FOCUS DISTANCE		0.1m	
FLANGE BACK		17.526mm in air	
BACK FOCUS		11.6mm in air	
FILTER SCREW SIZE		M30.5x0.5	
FRONT/REAR EFFECTIVE DIA.		FRONT Ø24.5mm	REAR Ø16.6mm
MOUNT		C-MOUNT	
EXIT PUPIL		-105.7mm	
TEMPERATURE RANGE		-10~+50° C	
STORAGE TEMPERATURE RANGE		-20~+60° C	
RESOLUTION CENTER/CORNER		Center 160lp/mm Corner 125lp/mm	
WEIGHT		160 g	

NOTE: Specifications and availability are subject to change without notice  
 注) 本仕様については、予告なしに変更する場合があります。



尺度	1/1	承認	八木	製図	大口
機種名	2/3(Ø11) F1.4 f=16mm				
機種番	LM16JC5M2				
2011.09.16	作成年月日				